

Datasheet

RS Pro Magnetic Lock, 1000N

RS Stock No: **739-3245**



Product Details

RS Pro magnetic lock provides a holding force when de-energised and release when pulsed. This electromagnetic lock offers 1000 N dynamic holding force capacity and is suitable for typical applications such as machine mechanisms, door/guard locking and remote hold/release requirements.

Features and Benefits

- Holding force of 1000 N
- Suitable for typical applications such as machine mechanisms, door/guard locking and remote hold/release requirements
- Provides a holding force when de-energised and release when pulsed

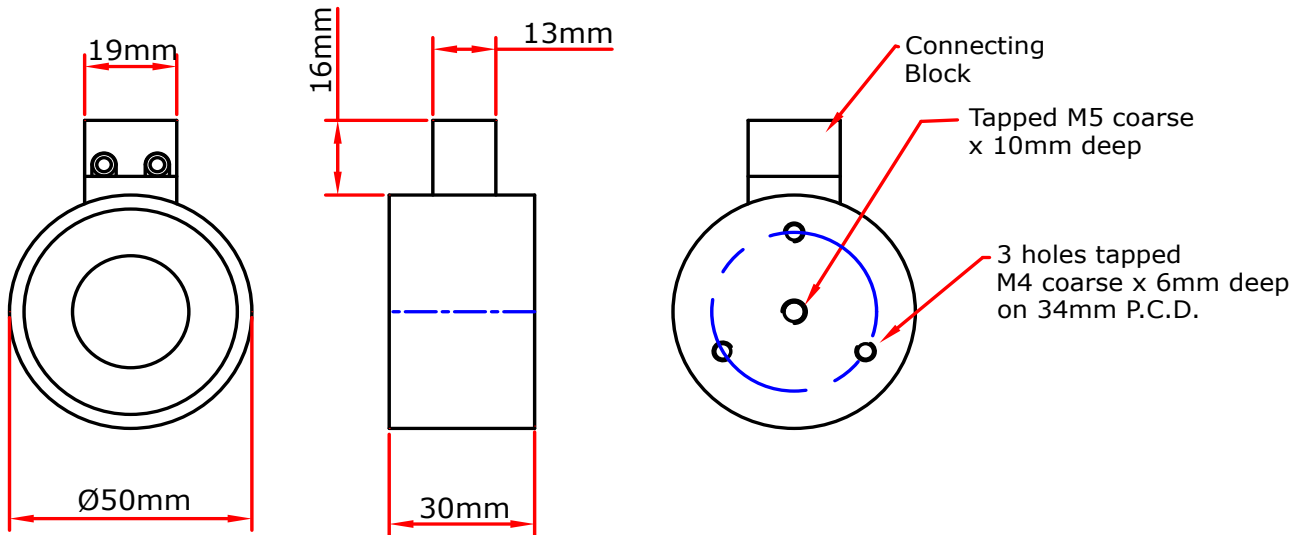


ENGLISH

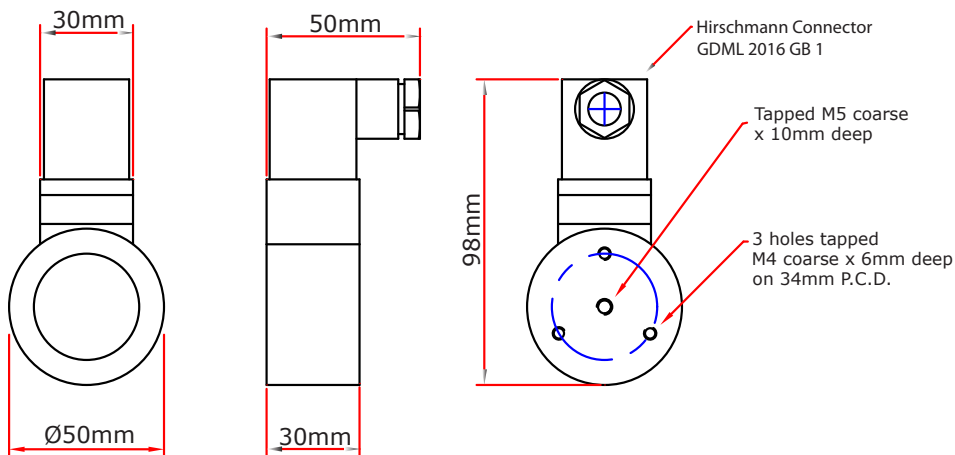
Specifications:

AC or DC Operation	AC
Diameter	50 mm
Holding Force	1000 N
Length	97 mm
Supply Voltage	240 V ac
Application	Machine Mechanisms, Door/Guard Locking & Remote Hold/Release Requirements
Current Rating	50 mA
Finish	Bright Nickel Plated with Machined Face
IP Rating	IP54
Power Consumption	8.56 W

Dimensions



Two-pole connector



Hirschman connector