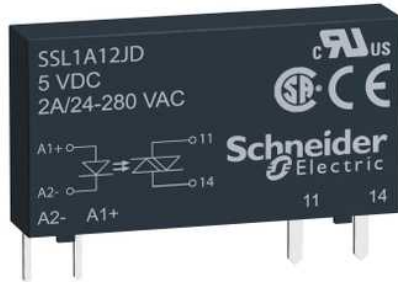


SSL1A12ND

solid state relay, Plug-in, input 38-72 V DC,
output 24-280 V AC, 2A



Main

| | |
|---------------------------|-------------------|
| Range of product | Zelio Relay |
| Product or component type | Solid state relay |
| Device short name | SSL |
| Network number of phases | 1 phase |

Complementary

| | |
|-------------------------------------|---|
| Mounting support | Socket |
| [In] rated current | 2 A |
| Output voltage | 24...280 V AC |
| Control circuit voltage | 90...140 V DC 190...250 V DC 90...140 V AC 38...72 V DC 190...250 V AC |
| Contacts type and configuration | 1 NO |
| Capacitance unbalance | ≤ 1.5 pF input/output |
| Switching voltage | ≤ 28 V DC turn-off ≥ 38 V DC turn-on |
| Input current limits | 4 mA |
| Input impedance | 20 kOhm |
| Solid state output type | Zero voltage switching SCR output |
| Load current | 0.07...2 A |
| Absolute maximum voltage | 600 V |
| Surge current | ≤ 115 A for 20 ms ≤ 120 A for 16.6 ms |
| Voltage drop | ≤ 1.1 V on-state |
| Maximum I ² t for fusing | 260 A ² .s for 8.3 ms at 60 Hz half cycle 285 A ² .s for 10 ms at 50 Hz half cycle |
| Leakage current | ≤ 4 mA off-state |
| DV/Dt | 500 V/ μ s off-state at maximum voltage |
| Response time | 0.5 cycle turn-off 0.5 cycle turn-on |
| Overvoltage category | III |
| Width | 5 mm |
| Height | 28 mm |
| Depth | 15 mm |
| Product weight | 0.0041 kg |

The information provided in this documentation contains general descriptions and/or technical characteristics of the performance of the products contained herein. This documentation is not intended as a substitute for and is not to be used for determining suitability or reliability of these products for specific user applications. It is the duty of any such user or integrator to perform the appropriate and complete risk analysis, evaluation and testing of the products with respect to the relevant specific application or use thereof. Neither Schneider Electric Industries SAS nor any of its affiliates or subsidiaries shall be responsible or liable for misuse of the information contained herein.

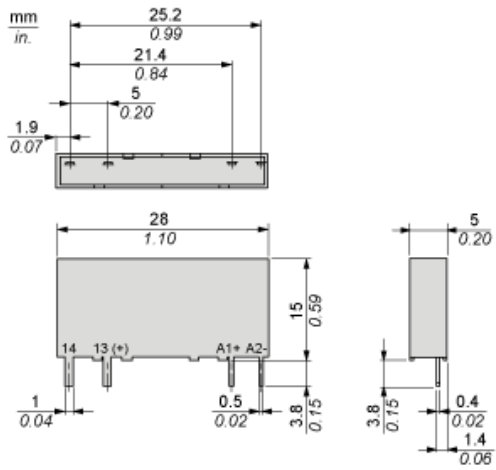
Environment

| | |
|---------------------------------------|---------------------------------------|
| Flame retardance | V0 conforming to UL 94 |
| Dielectric strength | 2500 V for input/output |
| Pollution degree | 2 |
| Standards | IEC 61000 IEC 60950-1 IEC 62314 |
| Product certifications | CSA UL REACH |
| Marking | CE |
| IP degree of protection | IP67 |
| Ambient air temperature for operation | -20...80 °C |
| Ambient air temperature for storage | -20...85 °C |

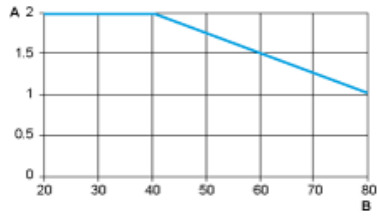
Offer Sustainability

| | |
|----------------------------------|---|
| Sustainable offer status | Green Premium product |
| RoHS (date code: YYWW) | Compliant - since 1328 - Schneider Electric declaration of conformity |
| REACH | Reference not containing SVHC above the threshold |
| Product environmental profile | Available Download Product Environmental |
| Product end of life instructions | Need no specific recycling operations |

Dimensions



Derating Curves



A : Load Current (Amperes)
B : Ambient Temperature (°C)