



Have a Question?  
Chat with a Product Information Specialist

What can we help you find?

Products Industries Resources About TE My Account Innovation Support Center

206043-1 Product Details

Share Print Email



206043-1

TE Internal Number: 206043-1

Active

View 3D PDF

CPC (Circular Plastic) and Circular Metal-Shell Connectors

Always EU RoHS/ELV Compliant (Statement of Compliance)

Product Highlights:

- Housing
- Connector Style = Receptacle
- 14 Positions
- 14 Signal Positions
- 0 Power Positions

View all Features

Quick Links

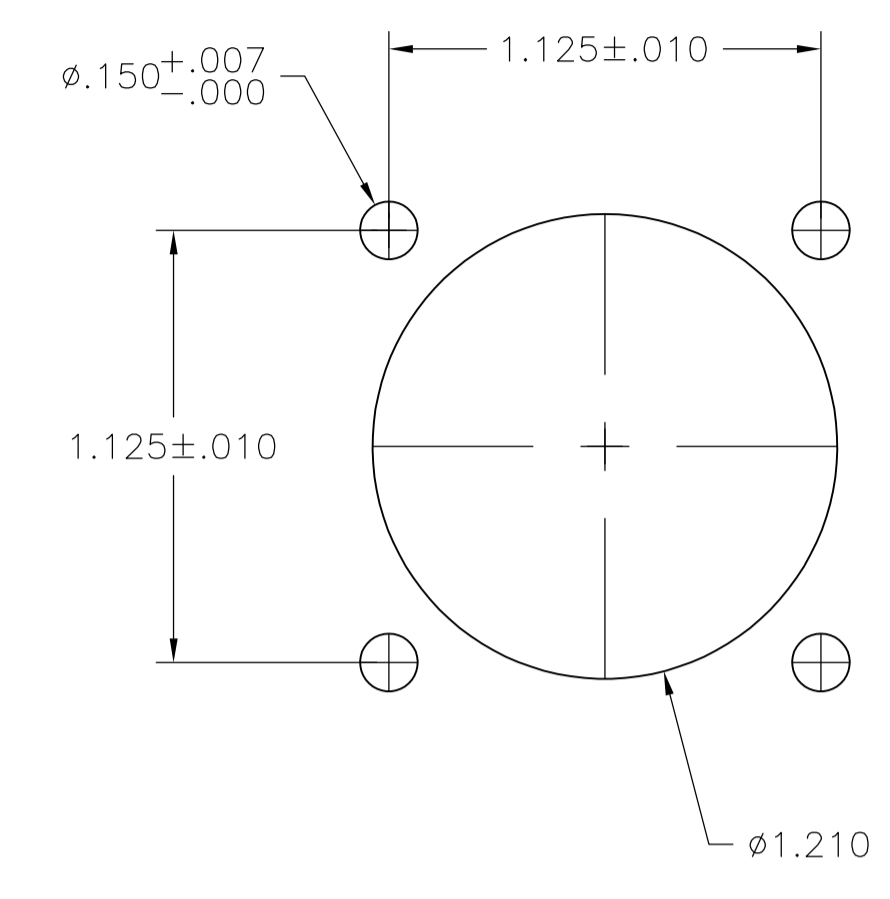
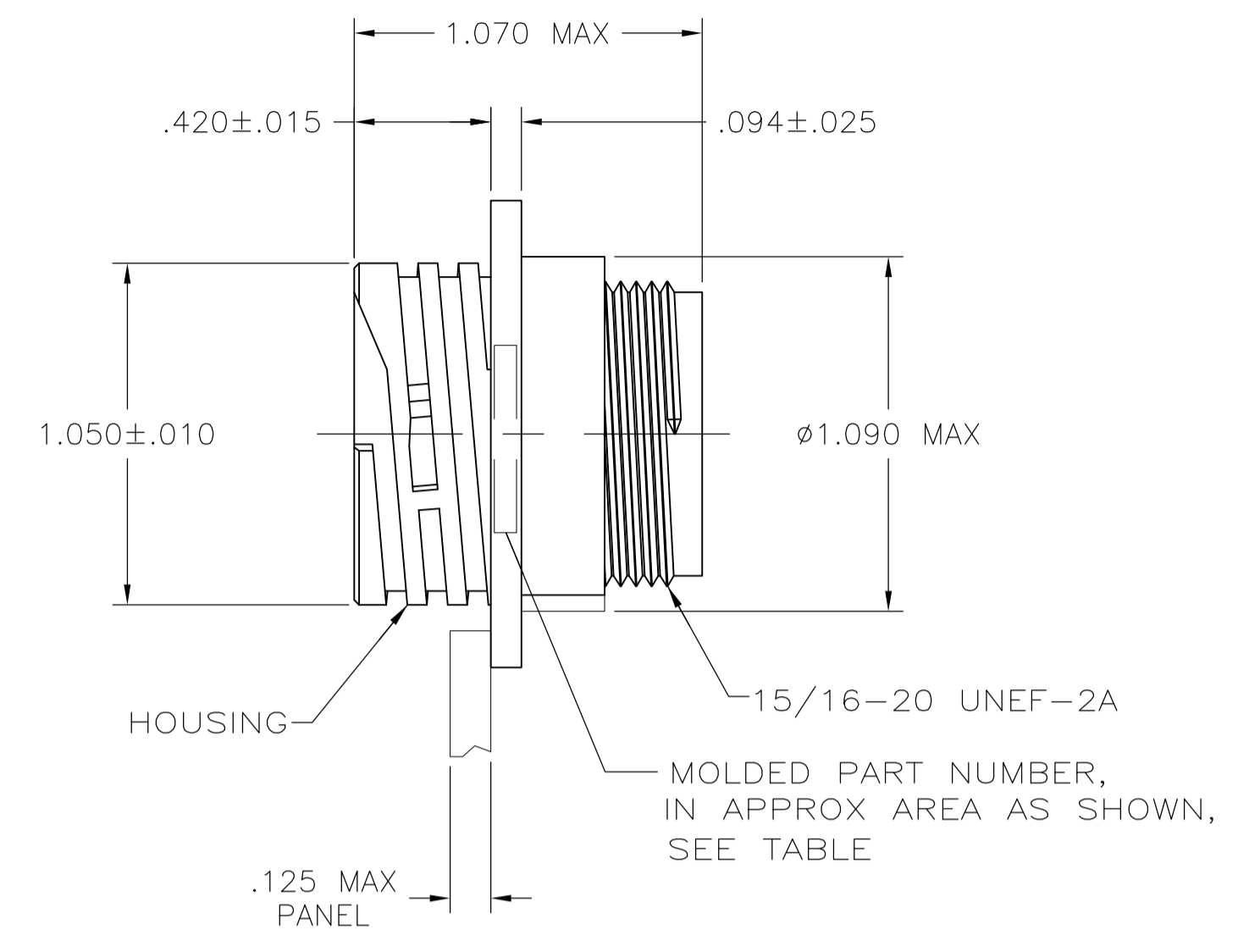
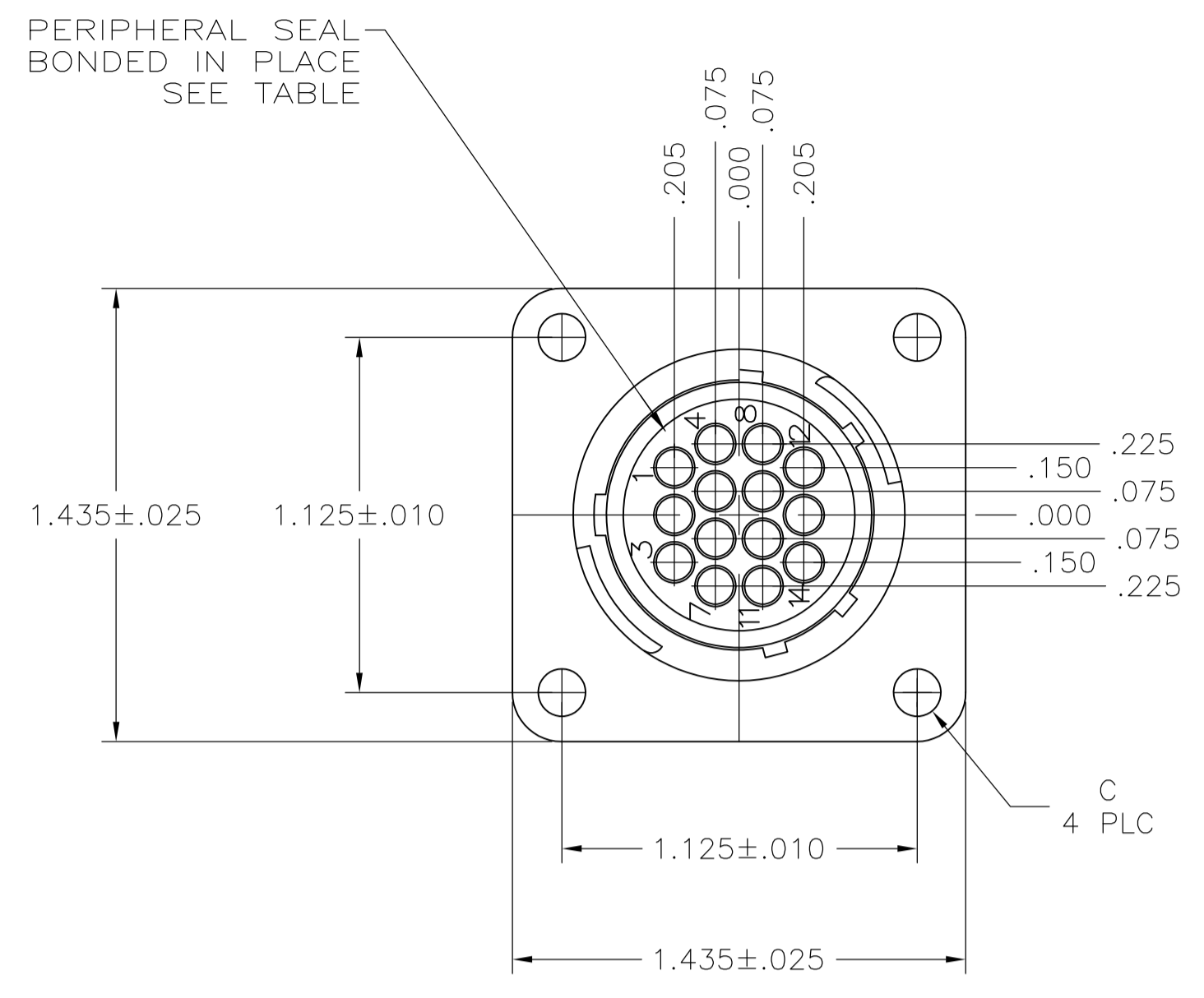
- ▶ Pricing & Availability
- ▶ Search for Tooling
- ▶ View Mating Products (1)
- ▶ Product Feature Selector
- ▶ Contact Us About This Product

Add to My Part List Request Sample Find Similar Products Buy Product

Documentation & Additional Information	
<p><b>Product Drawings:</b></p> <ul style="list-style-type: none"> <li>• RECEPTACLE ASSEMBLY, REVERSE SEX, SERIES 1, 17-14, CPC (PDF, English)</li> </ul> <p><b>Catalog Pages/Data Sheets:</b></p> <ul style="list-style-type: none"> <li>• AMP Circular Connectors for Commercial Signal &amp; Powe... (PDF, English)</li> </ul> <p><b>Product Specifications:</b></p> <ul style="list-style-type: none"> <li>• None Available</li> </ul> <p><b>Application Specifications:</b></p> <ul style="list-style-type: none"> <li>• Circular Plastic Connectors (CPC) (PDF, English)</li> </ul> <p><b>Instruction Sheets:</b></p> <ul style="list-style-type: none"> <li>• Circular Plastic Connectors (CPC) (PDF, English)</li> </ul> <p><b>CAD Files:</b> (CAD Format &amp; Compression Information)</p> <ul style="list-style-type: none"> <li>• 2D Drawing (DXF, Version AL)</li> <li>• 3D Model (IGES, Version AL)</li> <li>• 3D Model (STEP, Version AL)</li> </ul>	<p><b>Additional Product Images:</b></p> <ul style="list-style-type: none"> <li>• Contact Arrangement</li> <li>• Keying Options</li> </ul> <p><b>Related Products:</b></p> <ul style="list-style-type: none"> <li>• Tooling</li> <li>• Mating Products (1)</li> </ul>

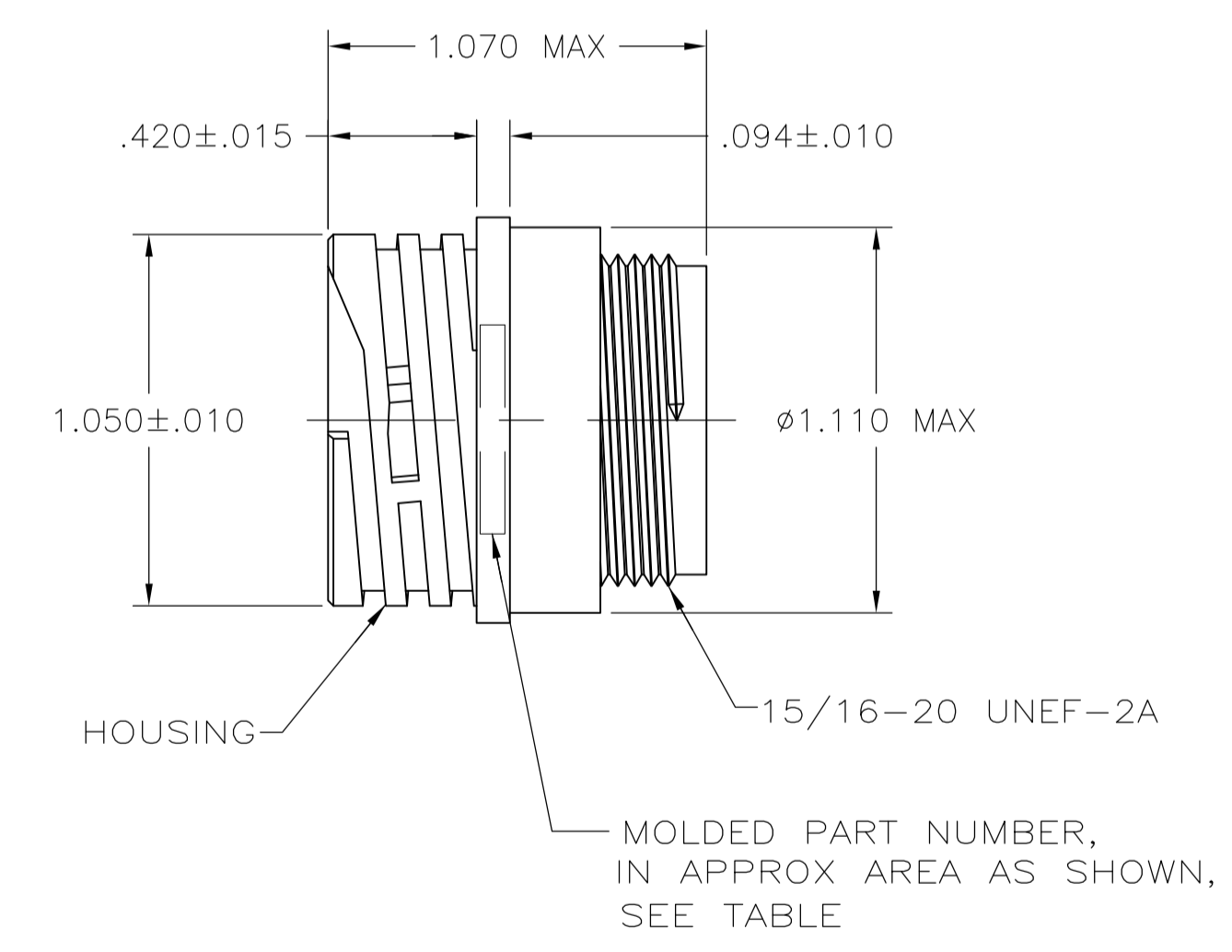
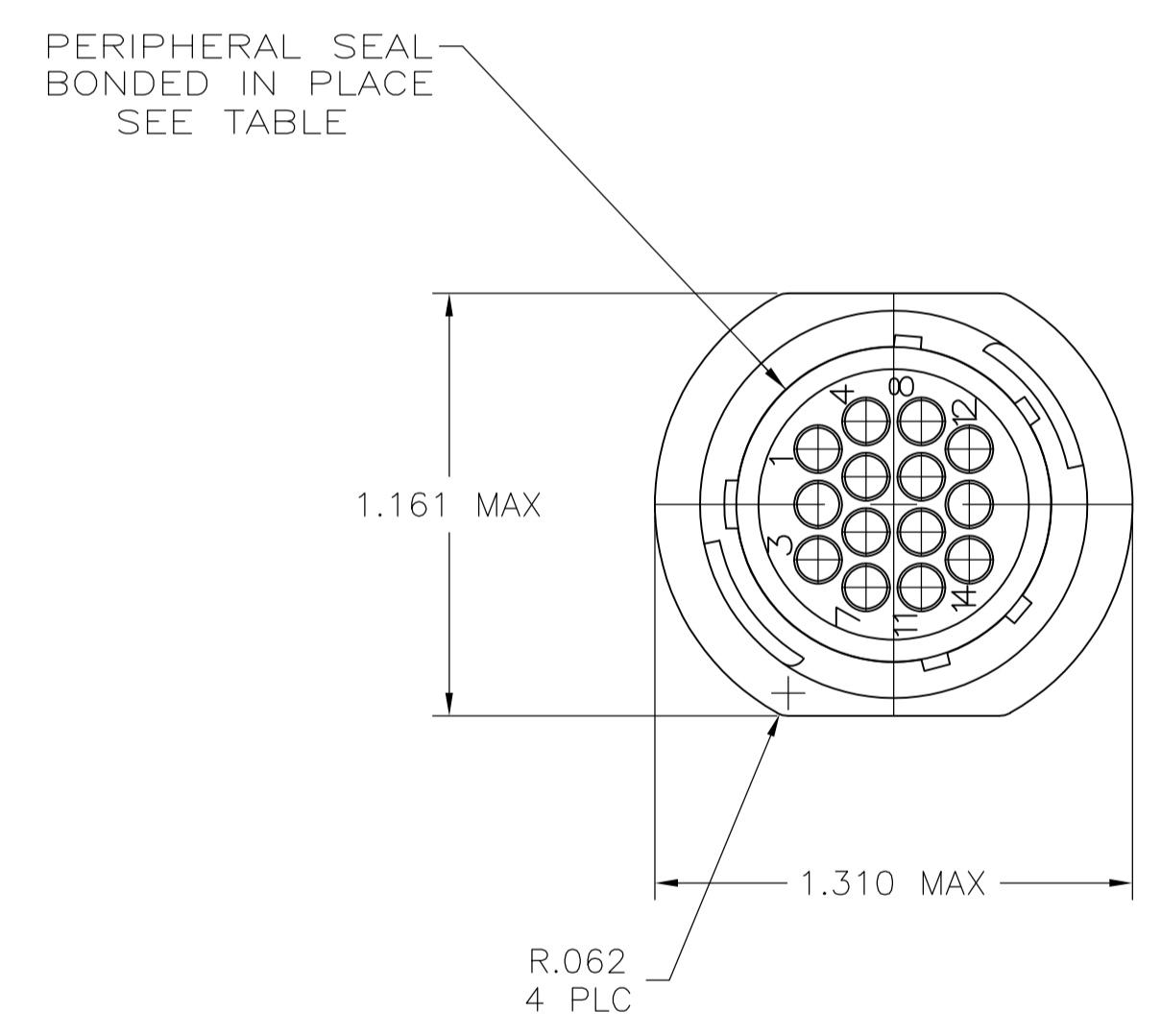
List all Documents

Product Features (Please use the Product Drawing for all design activity)	
<p><b>Product Type Features:</b></p> <ul style="list-style-type: none"> <li>• Connector Type = Housing</li> <li>• Mount Angle = Straight</li> <li>• Shell Size = 17</li> <li>• PCB Mount Retention = Without</li> <li>• Shell Type = All Plastic</li> <li>• Product Series = Series 1</li> <li>• Thread Size = 15/16-20 UNEF-2A</li> <li>• Sealed = No</li> </ul> <p><b>Mechanical Attachment:</b></p> <ul style="list-style-type: none"> <li>• Mount = Panel</li> <li>• Mating Retention Type = Threaded Coupling</li> </ul> <p><b>Body Features:</b></p> <ul style="list-style-type: none"> <li>• Mount Style = Flange with Mounting Holes</li> </ul> <p><b>Contact Features:</b></p> <ul style="list-style-type: none"> <li>• Contact Type = Socket</li> <li>• Reverse Gender = Reverse</li> </ul> <p><b>Housing Features:</b></p> <ul style="list-style-type: none"> <li>• Connector Style = Receptacle</li> <li>• Mating Alignment Type = Keyed</li> <li>• Housing Material = Thermoplastic - GF</li> <li>• Housing Color = Black</li> <li>• III Flammability Rating = III 94V-0</li> </ul>	<p><b>Configuration Features:</b></p> <ul style="list-style-type: none"> <li>• Number of Positions = 14</li> <li>• Number of Signal Positions = 14</li> <li>• Number of Power Positions = 0</li> <li>• Environmental Protection = Without</li> <li>• Reverse Numbering = Without</li> </ul> <p><b>Industry Standards:</b></p> <ul style="list-style-type: none"> <li>• VDE Tested = No</li> <li>• RoHS/ELV Compliance = RoHS compliant, ELV compliant</li> <li>• Lead Free Solder Processes = Not relevant for lead free process</li> <li>• RoHS/ELV Compliance History = Always was RoHS compliant</li> </ul> <p><b>Identification Marking:</b></p> <ul style="list-style-type: none"> <li>• Keying = A</li> </ul> <p><b>Environmental:</b></p> <ul style="list-style-type: none"> <li>• Fluid Resistance = None</li> </ul> <p><b>Conditions for Usage:</b></p> <ul style="list-style-type: none"> <li>• Accepts Wire Insulation Diameter, Range (mm [in]) = 2.54 [0.100]</li> </ul> <p><b>Other:</b></p> <ul style="list-style-type: none"> <li>• Brand = AMP</li> </ul>



DETAIL A

RECOMMENDED PANEL CUTOUT



DETAIL B

- 1 CAVITY IDENTIFICATION ON FRONT AND REAR FACE.
- 2 WILL ACCEPT FOURTEEN (14) MULTIMATE SOCKET CONTACTS.
- 3 PRELIMINARY PART NUMBER.
- 4 OBSOLETE PARTS: OBSOLETE CIS STREAMLINING PER D.RENAUD/D.SINISI

3	4-40 THREADED INSERTS	-	STANDARD	YES	A	206043-8
4	Ø.150	-	SMALL PACK	NO	A	206043-6
	-	-	STANDARD	YES	B	206043-5
	Ø.150	-	STANDARD	YES	A	206043-4
	-	-	STANDARD	NO	B	206043-3
	Ø.150	206043-1	STANDARD	NO	A	206043-1
	DIM C	MOLDED PART NUMBER	PACKAGING	PERIPHERAL SEAL	SEE DETAIL	PART NO.

THIS DRAWING IS A CONTROLLED DOCUMENT.

DIMENSIONS: INCHES	TOLERANCES UNLESS OTHERWISE SPECIFIED:	DIN W. LENKER 09/10/92	CHK R. STONE 08/11/93	APVD	NAME
0 PLC ± -	1 PLC ± -	2 PLC ± 0.13 [.005]	3 PLC ± -	4 PLC ± -	ANGLES ± -
MATERIAL: HOUSING: NYLON BLACK	FINISH: -	SIZE: A1	WEIGHT: -	CAGE CODE: 00779	DRAWING NO: 206043
CUSTOMER DRAWING			SCALE: 2:1	SHEET: 1 OF 1	REV: S

**STE** TE Connectivity  
RECEPTACLE ASSEMBLY, REVERSE SEX, SERIES 1, 17-14, CPC