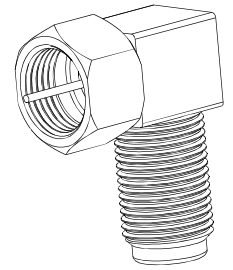
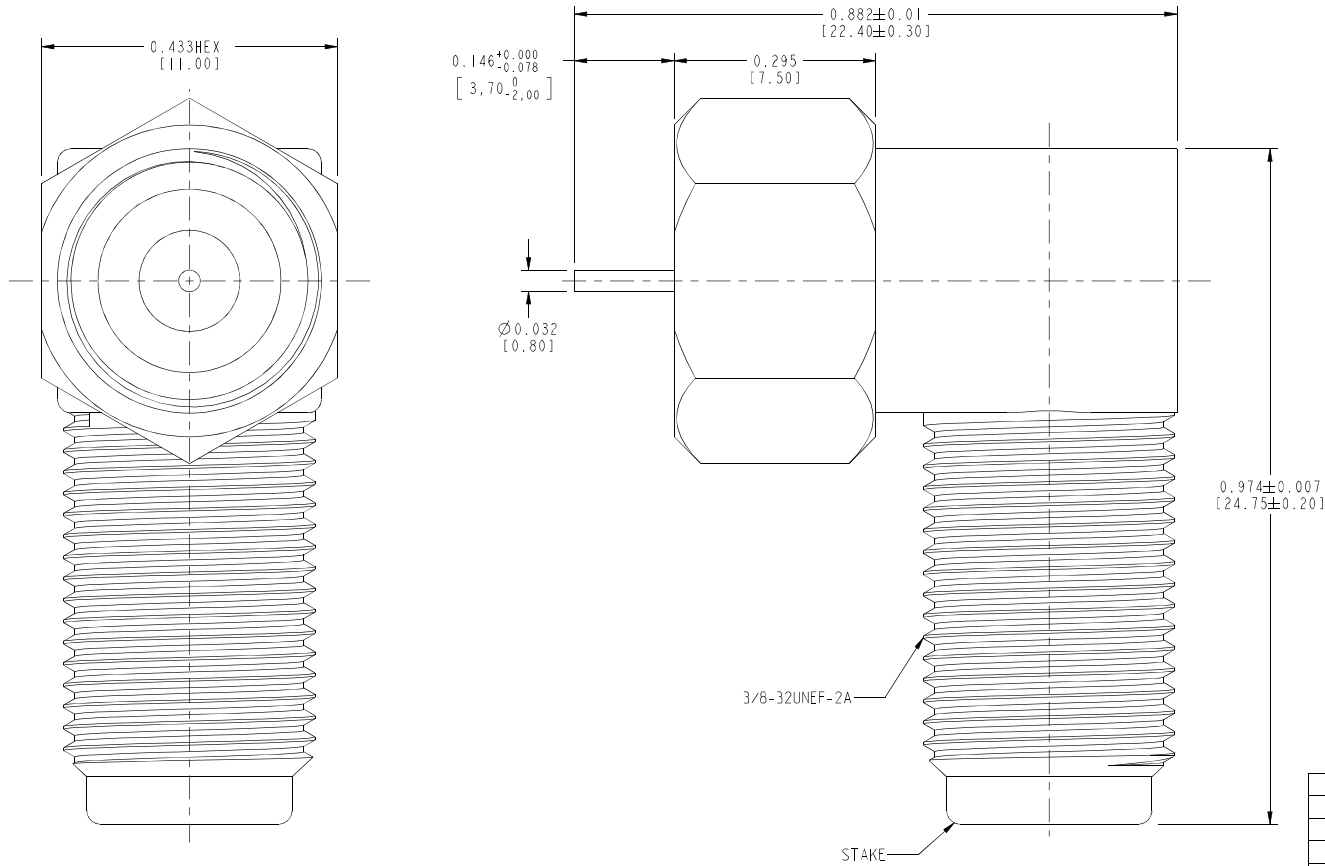


NOTE:

1. UNLESS OTHERWISE SPECIFIED, TOLERANCES ARE  $\pm 0.004$  (0.1 MM)
2. RETURN LOSS - 1GHz > 18dB, 2GHz > 12dB, 3GHz > 8dB
3. INSERTION LOSS - 1GHz < 0.2dB, 2GHz < 0.25dB, 3GHz < 0.9dB

222F-90		REVISIONS			
DRAWING NO.	REV	DESCRIPTION	DATE	ECO	APPR
THIRD ANGLE PROJ.	A	RELEASE TO MFG.	07-Sep-09	--	HR
	B	UPDATED DIMENSIONS	02-Feb-12	2272	CL



SCALE 2.000

S.NO.	DESCRIPTION	MATERIAL	QTY	FINISH
7	CAP	ALUMINNUM	1	
6	HEX NUT	BRASS	1	NICKEL
5	CONTACT	PHOSPHOR BRONZE	1	TIN
4	BODY-REAR	ZINC	1	NICKEL
3	CONTACT PIN	BRASS	1	TIN
2	INSULATOR	DELRIIN	1	
1	BODY-FRONT	BRASS	1	NICKEL

UNLESS OTHERWISE SPECIFIED, DIMENSIONS ARE IN INCHES AND TOLERANCES ARE:  
 2 PLACE DECIMAL 3 PLACE DECIMAL ANGLES  
 $\pm .015$  (0.381 mm)  $\pm .005$  (0.127 mm)  $\pm 1^\circ$

NOTICE - These drawings, specifications, or other data (1) are, and remain the property of Amphenol Corp. (2) must be returned upon request; and (3) are confidential and not to be disclosed to any person other than those to whom they are given by Amphenol Corp. The furnishing of these drawings, specifications, or other data by Amphenol Corp., or to any other person to anyone for any purpose is not to be regarded by implication or otherwise in any manner licensing, granting rights or permitting such holder or any other person to manufacture, use or sell any product, process or design, patented or otherwise, that may in any way be related to or disclosed by said drawings, specifications, or other data.

MATERIAL

REFERENCE

TASK - 847

DRAWN  
GOPI M  
DATE  
23-Jan-12  
ENGINEER  
CLEMENT  
DATE  
07-Sep-09  
APPROVED  
DATE  
CAD FILE

TITLE  
F MALE TO FEMALE  
R/A ADAPTER

Amphenol  
Connex

SCALE: 5.5:1 SHEET 1 OF 1

DWG SIZE B DRAWING NO. 222F-90 REV B

# Amphenol Connex

## Adapters

Amphenol Connex  
5069 Maureen Lane, Unit B  
Moorpark, CA 93021 USA

### FEATURES & BENEFITS:

High Quality  
Wide Selection  
Low Cost

### APPLICATIONS:

Instrumentation  
Military-Aerospace  
Broadband  
RFID  
Telecommunication

800.942.6639

[www.amphenolconnex.com](http://www.amphenolconnex.com)

**New**

**7/16 & N Adapter Kit**  
**P/N 312100 • Call for Details**

**QUALITY COAXIAL ADAPTERS**

# Amphenol Connex

# Coaxial Adapters

		MMCX		MCX		SMA		SMB		SMC		Mini-UHF		F		BNC		TNC		UHF		N		7/16		U.FL	
		Plug	Jack	Plug	Jack	Plug	Jack	Plug	Jack	Plug	Jack	Plug	Jack	Plug	Jack	Plug	Jack	Plug	Jack	Plug	Jack	Plug	Jack	Plug	Jack	Jack	
MMCX	Plug	262132				242142	242141																242169	242167			
	Jack	262136	262129			242140	242142																242166	242168		242225	
	Bulkhead Jack		262130																								
MCX	Plug				252169	242128	242127																242173	242171			
	Jack				252171	242126	242129																242170	242172			
SMA	Plug	242142	242140	242128	242126	132168 132339 R/A	132171	242146	242144	242177	242174	242118	242116		242104	242102	242106	242124	242110	242108		242114	242112			242212	
	Jack	242141	242143	242127	242129	132171 132172 R/A	132169 132274 R/A	242145	242147	242175	242176	242117	242119		242103	242123	242105	242107	242109	242111		242113	242115				
	Bulkhead Jack	242193					132170 132170-10		242182							242227											272188
SMB	Plug					242146	242145	142246	142310																		
	Jack					242144	242147	142310	142244																		
SMC	Bulkhead Jack																										
	Plug					242177	242175																				
	Jack					242174	242176			252141																	
Mini-UHF	Plug					242118	242117														242153						
	Jack					242116	242119																				
F	Plug													222156	222157 Push-on 222122 R/A								242157	242152			
	Jack							242223	242224					22157 Push-on 222122 R/A		242154	242161						242156 242158 R/A	242120			
	Bulkhead Jack														222121												
BNC	Plug			242205	242203	242104	242103	242187	242184					242160	242154	112447 50Ω 112448 75Ω 112655 50Ω R/A	112667 50Ω 112668 75Ω	242151	242148	242139	242134	242122	242101				
	Jack			242204	242206	242102	242123	242185	242186					242159	242161	112451 50Ω 112452 75Ω	112445 50Ω 12446 75Ω	242149	242150	242164 242232 R/A	242165	242121	242100				
	Bulkhead Jack																112433 50Ω 112434 75Ω						242162				
	Panel Jack																112712										
TNC	Plug			242210	242208	242106	242105							242197			242151	242149	122350 50Ω 122351 75Ω	122352 50Ω R/A 122353 75Ω R/A		242133	242131				
	Jack			242209		242124	242107										242148	242150	122352 50Ω R/A 122353 75Ω R/A	122348 50Ω 122349 75Ω		242130	242132				
	Bulkhead Jack						242178													122342 50Ω 122343 75Ω						242192	
UHF	Plug					242110	242109										242139	242164									
	Jack					242108	242111										242134	242165									
N	Bulkhead Jack																									242216	
	Plug	242169	242166	242173	242170	242114	242113							242157	242156 242158 R/A	242122	242121	242133	242130	242155		172122 172261 R/A	172276 172126 R/A	242138	242135		
	Jack	242167	242168	242171	242172	242112	242115							242152	242120	242101	242100	242131	242132			172276 172126 R/A	172123	242136	242137		
7/16	Bulkhead Jack							242183																			
	Plug																										
	Jack																										
1.0/2.3	Plug																									242217	
	Jack																									242218	
1.0/2.3	Bulkhead Jack																242229-75 75Ω										



### Standard RF Connectors

- BNC
- SMA
- N Type
- MMCX
- MCX and many more...



### RF Cable Assemblies

- Standard Flexible Cables
- Semi-Rigid Cables
- Corrugated Cables

**Amphenol Connex**  
**800.942.6639**  
[www.amphenolconnex.com](http://www.amphenolconnex.com)

Reverse Polarity and Reverse Threaded options available

Need an adapter that's not listed? Contact us toll-free.