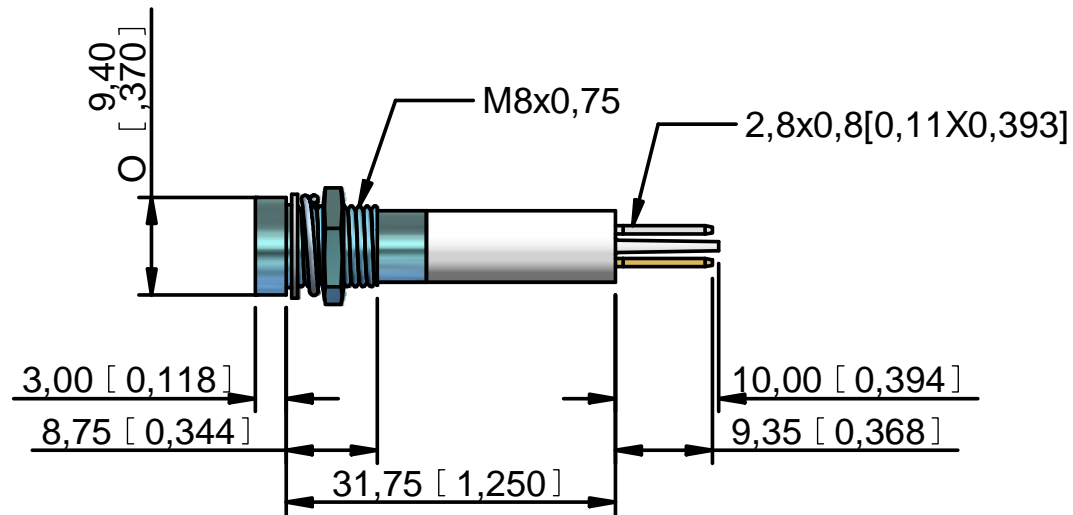


RS ITEM NO 846-2752

Q8R1CXXHO110E



LED/Multiled :	<i>LED</i>	Optimum voltage (V) :	<i>110VAC</i>	Intensity :	<i>4500mcd@20mA</i>
Mounting Size :	<i>8mm</i>	Rectifier :	<i>-</i>		
Bezel Finish :	<i>Bright Chrome</i>	AC current :	<i>6mA</i>		
Sealing Protection :	<i>IP67</i>	DC current :			
Bezel Style :	<i>Recessed</i>	Voltage Tolerance(%) :	<i>10%</i>		
Chip Qty :	<i>1</i>	Optimum temperature (°C) :	<i>-40°C...+85°C</i>	Principal Attributes	
LED colour :	<i>Orange</i>	Storage temperature (°C) :	<i>-40°C...+85°C</i>		
Wavelength (nm) :	<i>605</i>	Contact Tab x 2 :	<i>2.8x0.8mm</i>		



Dimension in mm (typical), not to scale.

We reserve the right to make changes without further notice to this product to improve reliability, function or design.