

AudioLarm II

MB-V09-530-Q(F)



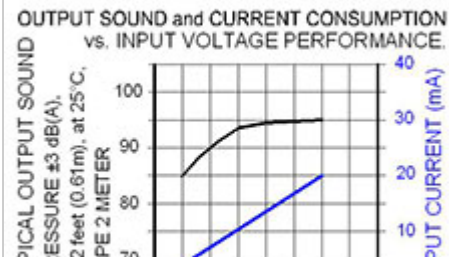
More Information

Beep Tone

 [Spec Sheet](#)

 [UL Recognized](#)

 RoHS Compliant



Specifications

Revision: 1.15

Medium Loud Beep Tone; Fast Rate; Panel Mount with Volume Control Case and Quick Connect Blades Termination

Mounting:	Panel Mount with Volume Control
Operating Mode:	Medium Loud Fast Beep Tone
Operating Voltage:	5-30 Vdc
Operating Frequency:	
Typical Operating Current:	2 mA at 5 Vdc 20 mA at 30 Vdc
Typical Sound Pressure:	85 \pm 5 dB(A), at 5 Vdc, at 24 inches (61 cm), at 25°C 95 \pm 5 dB(A), at 30 Vdc, at 24 inches (61 cm), at 25°C
Termination:	Quick Connect Blades
Termination Strength:	Pull test with a maximum of 22 pounds (10 kg) load
Operating Temperature:	-20_C to +65_C
Storage Temperature:	-40_C to +85_C
Surge Voltage:	20% over maximum rated voltage for less than 5 minutes
Reverse Voltage Protection:	To the maximum operating voltage
Construction Materials:	Internal Circuit- Audio-oscillator and piezoelectric driver Potting- 2 parts epoxy resin or silicone, black Diaphragm- Stainless Steel 304

Gasket:

Environmental Durability: ASTM B117 Certified - Withstands exposure to salt spray for 300 hours
IP 68 Certified - Withstands water submergence and dust exposure
Humidity- 95% relative humidity at +40_C continuously for 100 hours.
Vibration- Withstands vibration between 0 and 55 Hz. on all axes.

Life Expectancy:

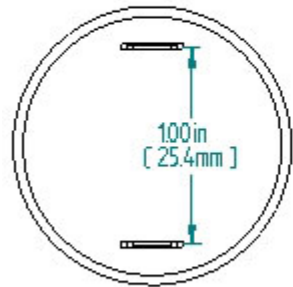
10 years under normal operating conditions.

Warranty:

For a period of two years from the date of manufacture under normal operating conditions.

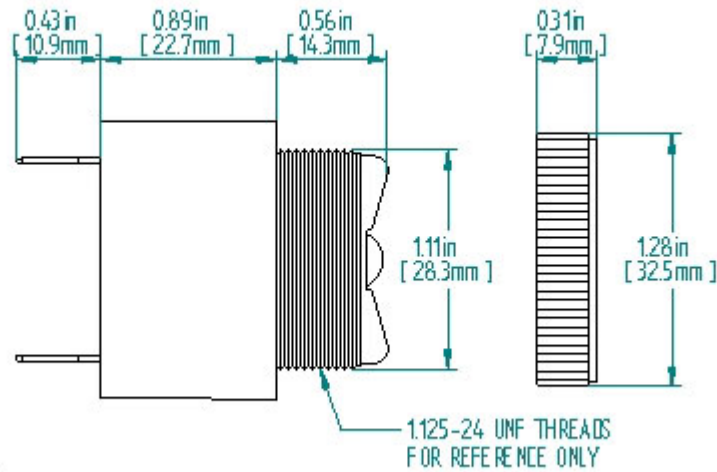
Dimensions

REAR

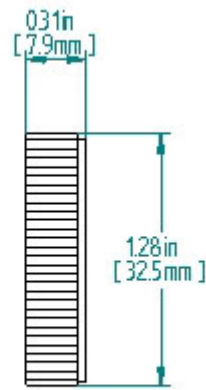


TOLERANCES ARE: ± 0.03 in.
[± 0.76 mm]

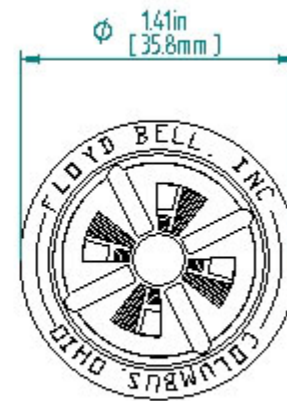
SIDE



RING



FRONT



PANEL MOUNTING



FITS PANELS UP TO
0.25 in [6.35 mm] THICK

"Q" TERMINALS

