



Have a Question?
 Chat with a Product
 Information Specialist

What can we help you find?

[Products](#) |
 [Industries](#) |
 [Resources](#) |
 [About TE](#) |
 [My Account](#) |
 [Innovation](#) |
 [Support Center](#)

206429-1 Product Details

[Share](#) |
 [Print](#) |
 [Email](#)



206429-1

TE Internal Number: 206429-1

Active

View 3D PDF

CPC (Circular Plastic) and Circular Metal-Shell Connectors

Always EU RoHS/ELV Compliant (Statement of Compliance)

Product Highlights:

- Housing
- Connector Style = Plug
- 4 Positions
- 4 Signal Positions
- 0 Power Positions

[View all Features](#)

Quick Links

- ▶ [Pricing & Availability](#)
- ▶ [Search for Tooling](#)
- ▶ [View Mating Products \(7\)](#)
- ▶ [Product Feature Selector](#)
- ▶ [Contact Us About This Product](#)

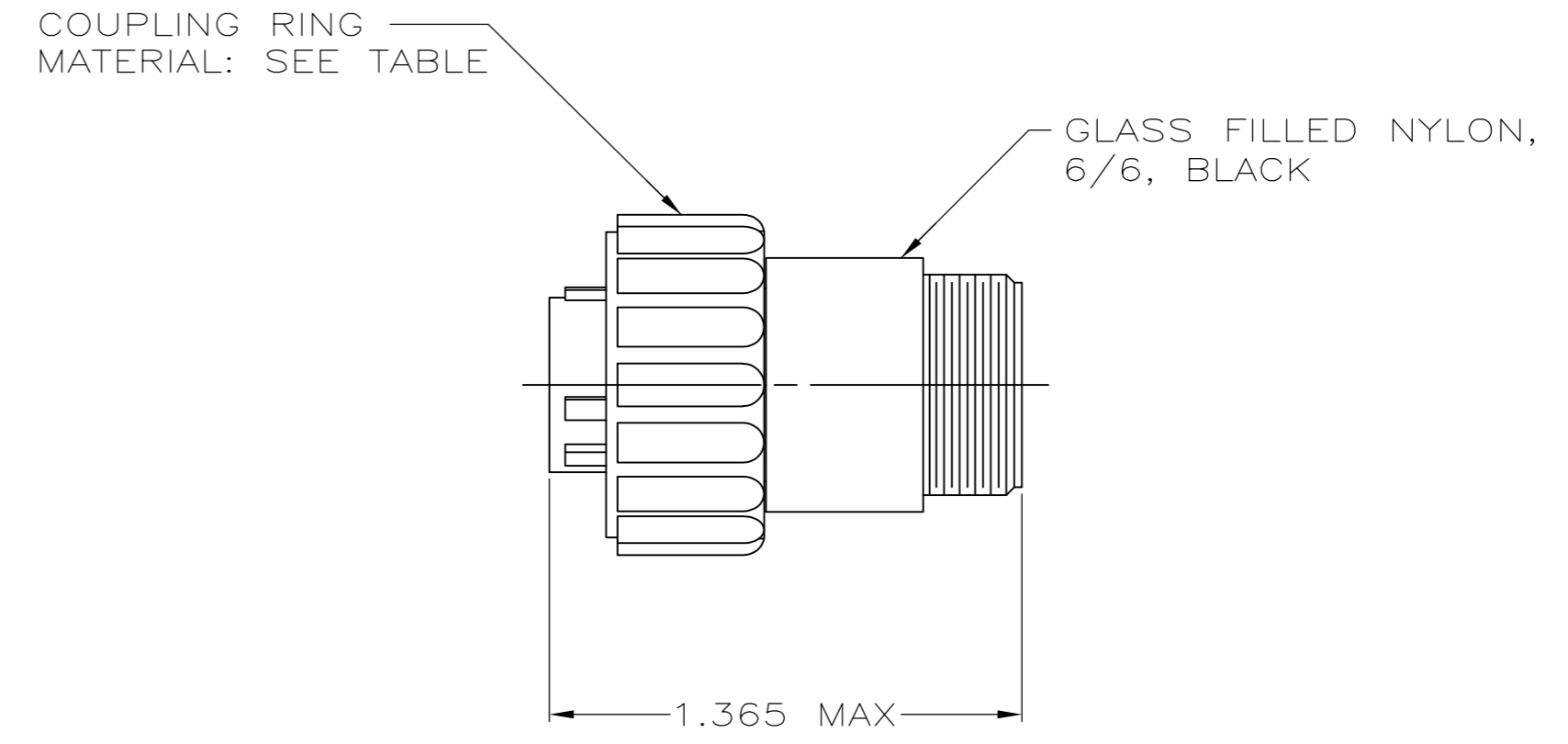
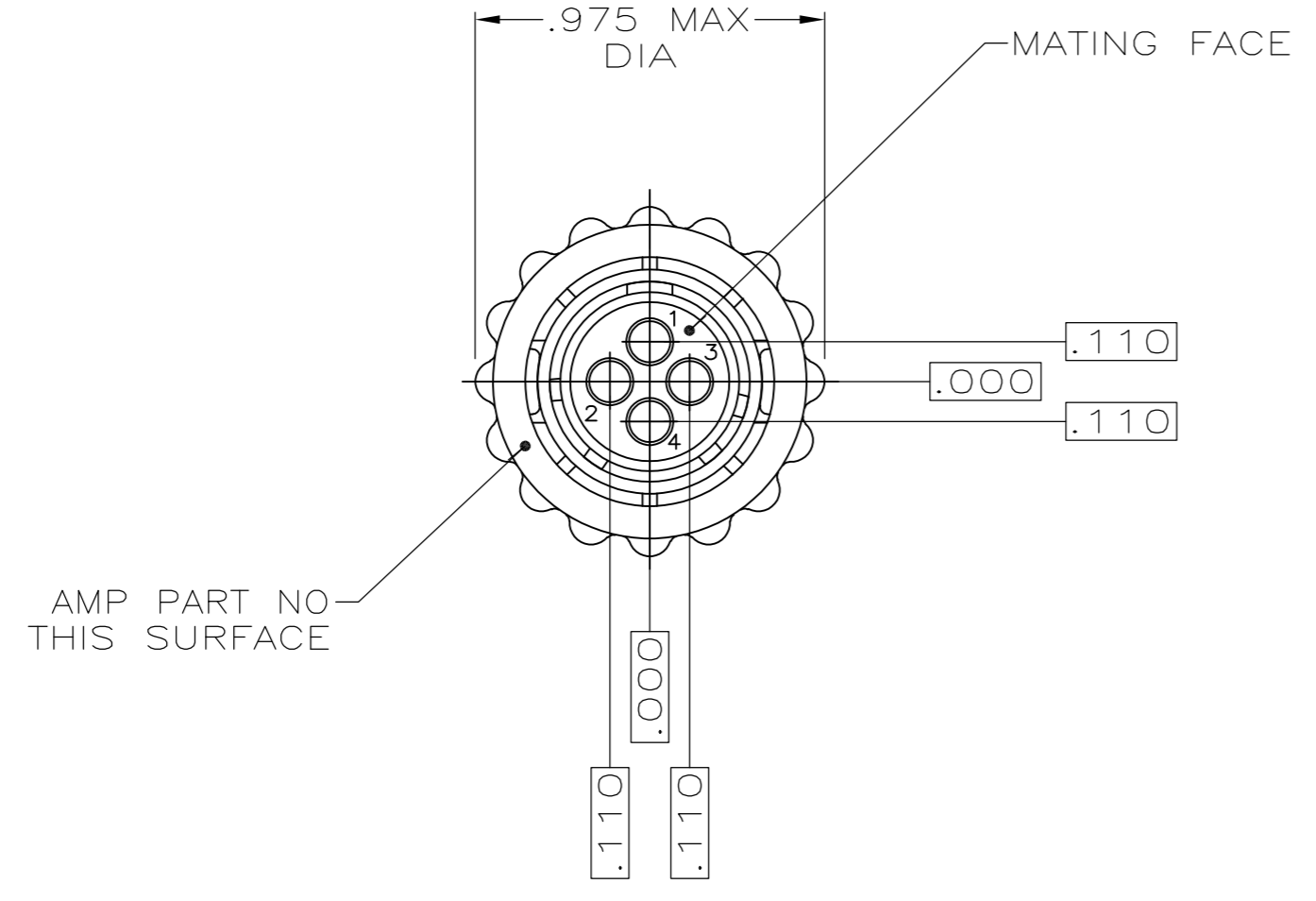
[Add to My Part List](#) |
 [Request Sample](#) |
 [Find Similar Products](#) |
 [Buy Product](#)

Documentation & Additional Information	
<p>Product Drawings:</p> <ul style="list-style-type: none"> • PLUG ASSEMBLY, SHELL SIZE 11, REVERSE SEX, SERIES 1, CPC (PDF, English) <p>Catalog Pages/Data Sheets:</p> <ul style="list-style-type: none"> • AMP Circular Connectors for Commercial Signal & Powe... (PDF, English) <p>Product Specifications:</p> <ul style="list-style-type: none"> • None Available <p>Application Specifications:</p> <ul style="list-style-type: none"> • Circular Plastic Connectors (CPC) (PDF, English) <p>Instruction Sheets:</p> <ul style="list-style-type: none"> • None Available <p>CAD Files: (CAD Format & Compression Information)</p> <ul style="list-style-type: none"> • 2D Drawing (DXF, Version J) • 3D Model (IGES, Version J) • 3D Model (STEP, Version J) 	<p>Additional Product Images:</p> <ul style="list-style-type: none"> • Contact Arrangement • Keying Options <p>Related Products:</p> <ul style="list-style-type: none"> • Tooling • Mating Products (7)

[List all Documents](#)

Product Features (Please use the Product Drawing for all design activity)	
<p>Product Type Features:</p> <ul style="list-style-type: none"> • Connector Type = Housing • Mount Angle = Straight • Shell Size = 11 • Shell Type = All Plastic • Product Series = Series 1 • Thread Size = 5/8 - 24 UNEF-2A • Sealed = No <p>Mechanical Attachment:</p> <ul style="list-style-type: none"> • Mount = Free Hanging • Mating Retention Type = Threaded Coupling <p>Contact Features:</p> <ul style="list-style-type: none"> • Contact Type = Pin • Reverse Gender = Reverse <p>Housing Features:</p> <ul style="list-style-type: none"> • Connector Style = Plug • Mating Alignment Type = Keyed • Housing Material = Thermoplastic - GF • Housing Color = Black • UL Flammability Rating = UL 94V-0 	<p>Configuration Features:</p> <ul style="list-style-type: none"> • Number of Positions = 4 • Number of Signal Positions = 4 • Number of Power Positions = 0 • Environmental Protection = Without • Reverse Numbering = Without <p>Industry Standards:</p> <ul style="list-style-type: none"> • VDE Tested = No • RoHS/ELV Compliance = RoHS compliant, ELV compliant • Lead Free Solder Processes = Not relevant for lead free process • RoHS/ELV Compliance History = Always was RoHS compliant <p>Identification Marking:</p> <ul style="list-style-type: none"> • Keying = A <p>Environmental:</p> <ul style="list-style-type: none"> • Fluid Resistance = None <p>Other:</p> <ul style="list-style-type: none"> • Brand = AMP

LOC		DIST		REVISIONS					
FT		0		P	LTR	DESCRIPTION	DATE	DWN	APVD
				D3		REVISED PER ECO-11-004587	11MAR11	RK	HMR



- 1. CONTACT CAVITIES IDENTIFIED BY CHARACTERS ON FRONT AND REAR FACES OF CONNECTOR.
- 2. THIS CONNECTOR WILL ACCEPT FOUR (4) MULTIMATE PIN CONTACTS.
- 3. OBSOLETE PARTS: OBSOLETE CIS STREAMLINING PER D.RENAUD/D.SINISI

3 OBSOLETE	DIE CAST ZINC	206429-2
	POLYESTER, BLACK	206429-1
	COUPLING RING MATERIAL	PART NUMBER

THIS DRAWING IS A CONTROLLED DOCUMENT.		DWN	S.RIDGLEY	BG	8/2/90	TE TE Connectivity	
		CHK	R.STONE		04/26/91		
DIMENSIONS: INCHES		TOLERANCES UNLESS OTHERWISE SPECIFIED:		APVD		NAME	
		0 PLC	±	-	PRODUCT SPEC		PLUG ASSEMBLY, SHELL SIZE 11, REVERSE SEX, SERIES 1, CPC
		1 PLC	±	-	APPLICATION SPEC		
		2 PLC	±	-	WEIGHT		SIZE
		3 PLC	±	-	MATERIAL		CAGE CODE
		4 PLC	±	-	FINISH		DRAWING NO
		ANGLES	±	-	WEIGHT		RESTRICTED TO
					MATERIAL		SCALE
					FINISH		SHEET
					CUSTOMER DRAWING		REV
					SCALE 2:1		1 of 1
					SHEET 1 of 1		D3

206429