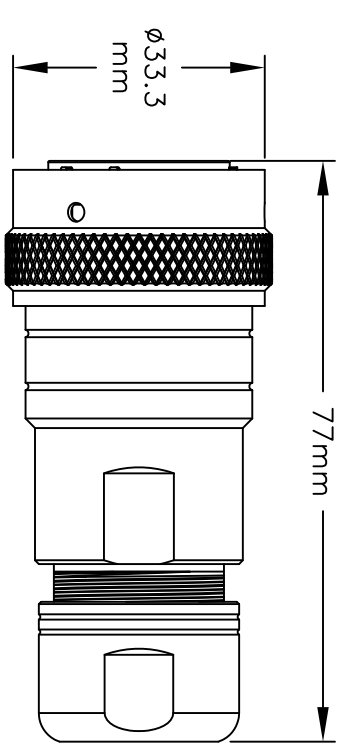
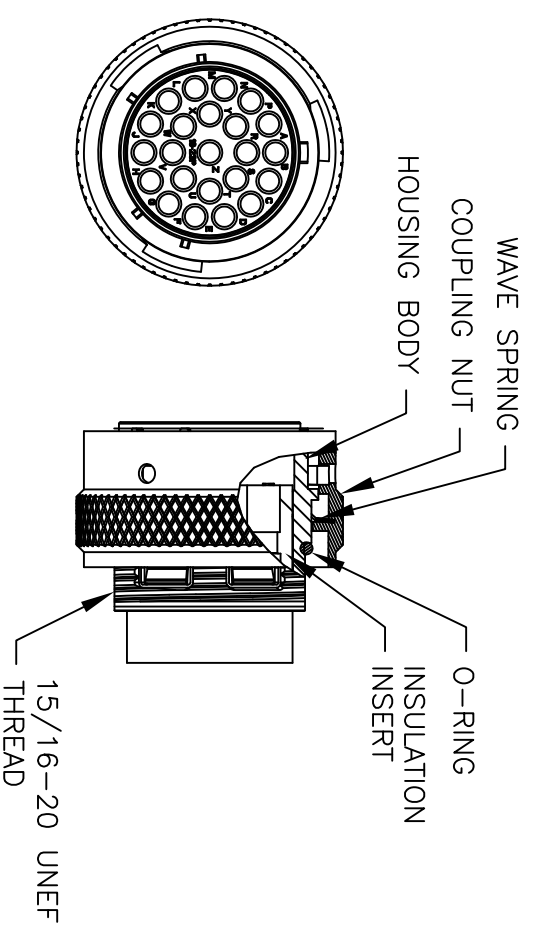


REVISIONS				
REV	ECO	DESCRIPTION	DATE	BY
01	-	CUSTOMER DRAWING	-	-



ASSEMBLED VIEW



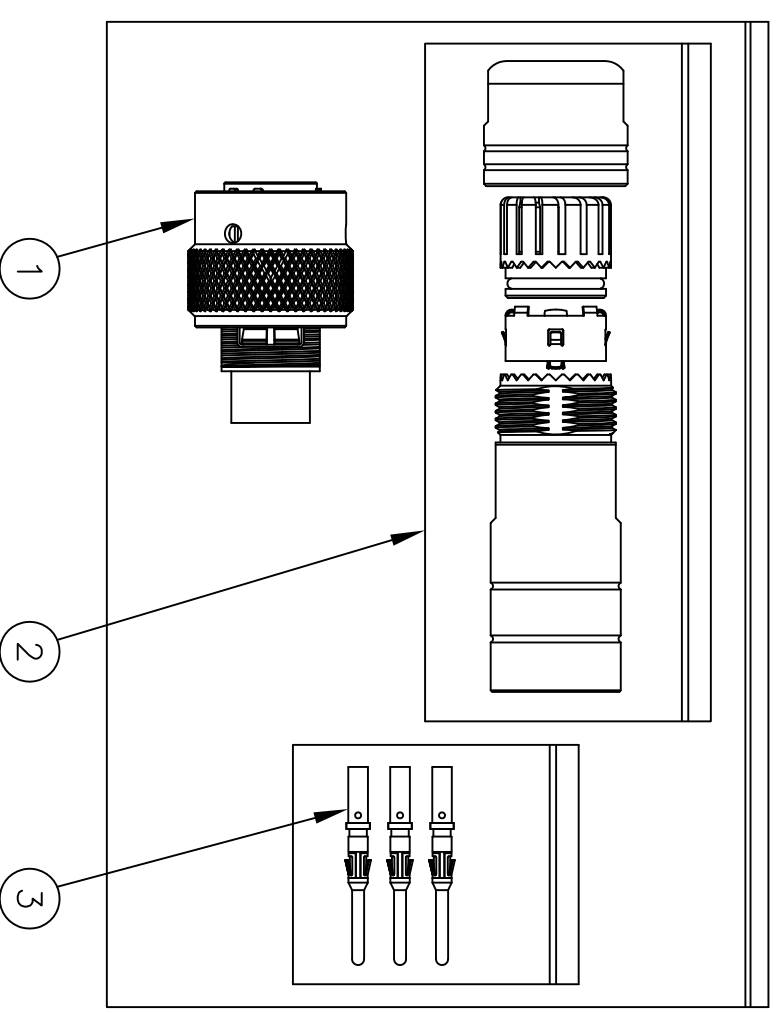
NOTES:

- 1) CORD GRIP RANGE: 3mm TO 6.5mm
- 2) CONTACT BARREL RANGE: 16AWG TO 18AWG
- 3) RECOMMENDED CRIMP TOOLS:
HAND CRIMPER: MFX-3959
PNEUMATIC CRIMPER: MFX-3960

- 4) EXTRACTION TOOL: QXRT16
- 5) MATERIALS:
HOUSING BODY: ZINC DIE CAST, NICKEL PLATED
COUPLING NUT: ALUMINUM ALLOY, NICKEL PLATED
WAVE SPRING: STAINLESS STEEL
INSULATION INSERT: PA66, UL94/V-0
CONTACT: BRASS, GOLD FLASH PLATED
SEAL AND O-RING: NBR (NITRILE BUTADIENE RUBBER)
- 6) ELECTRICAL DATA:
a) CURRENT (MAX): 13A
b) VOLTAGE (MAX): 250V AC/DC
c) INSULATION RESISTANCE (MIN): 5000M OHMS
d) TEST VOLTAGE (BETWEEN CONTACTS): 3050V

- 7) TECHNICAL DATA:
a) TEMPERATURE RANGE: -40°C TO 105°C
b) PROTECTION: IP67 (MATED CONDITION)
c) MATING CYCLES: >500
d) VIBRATION RESISTANCE PER MIL-STD-202 METHOD 204
e) THERMAL SHOCK PER MIL-STD-202 METHOD 207
f) 48 HOUR SALT SPRAY PER MIL-STD-202 METHOD 101
- 8) ROHS COMPLIANT

ILLUSTRATION: COMPLETE KIT



QUANTITY	PART NUMBER	DESCRIPTION	ITEM
23	MP16M23F	CONTACT, PIN, SIZE 16	3
1	RTOL-18CG-S1	CORD GRIP	2
1	RT061823PNH	CONNECTOR	1

UNLESS OTHERWISE SPECIFIED		SIGNATURES		DATE	
1) All dimensions are in metric(mm).		DRAWN:	MRF	10SEP13	
2) Tolerances are as follows:		CHECKED:			
1 PL DEC ±0.30 Fractions ±1/64		ENGINEER:			
2 PL DEC ±0.15 Angles ±1°		APPROVAL:			
3 PL DEC ±0.08		CUSTOMER:			
3) Note reference = $\frac{\Delta}{A}$					

MATERIAL SPECIFICATIONS:			
THIS DRAWING IS SUPPLIED FOR INFORMATION ONLY. DESIGN FEATURES, SPECIFICATIONS AND PERFORMANCE DATA SHOWN HEREON ARE THE PROPERTY OF THE AMPHENOL CORPORATION. NO RIGHTS OF REPRODUCTION ARE IMPLIED. ALL DIMENSIONS ARE SUBJECT TO NORMAL MANUFACTURING VARIATIONS.			
PROCESS SPECIFICATIONS:	KIT, RT061823PNH		
NEXT ASSY:	SIZE	FSCM NO.	DWG NO:
	B		C- RT061823PNH-K
	SCALE: NONE	SHEET 1	OF 1

SINE Systems Corporation

A Subsidiary of Amphenol Corporation
44724 Morley Drive
Clinton Township, MI 48036