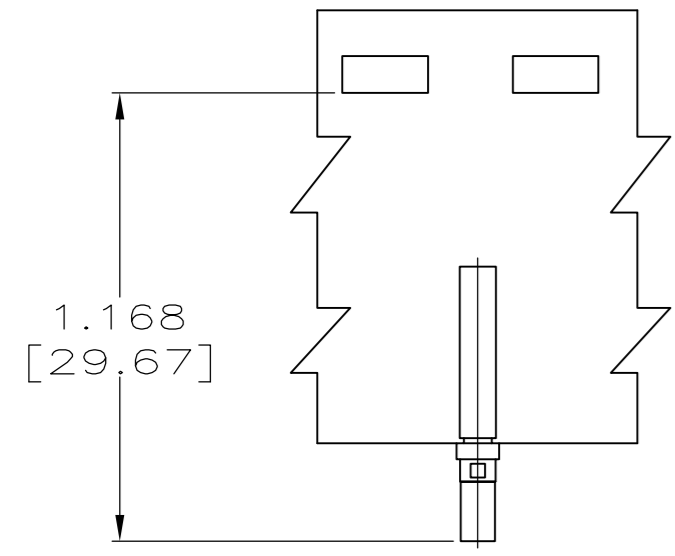
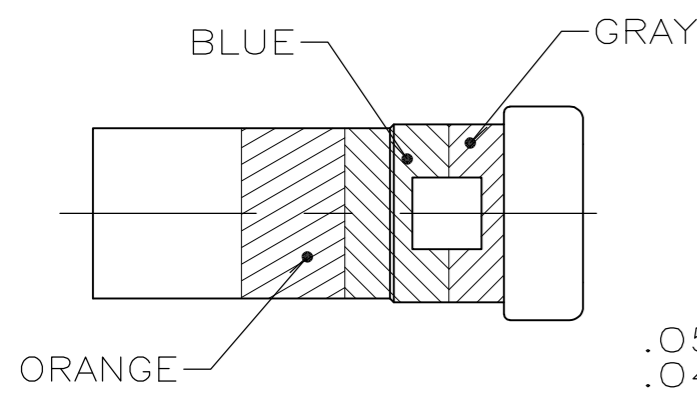
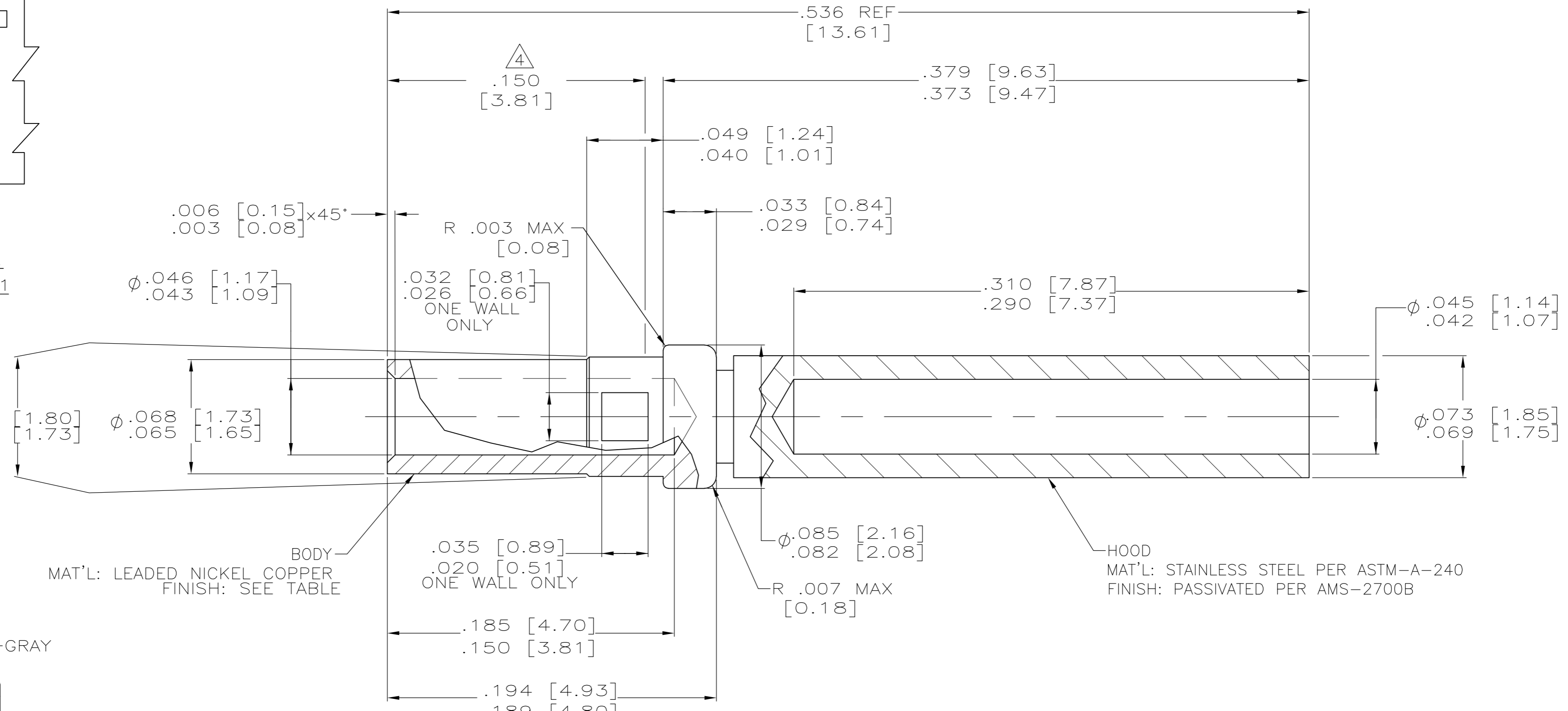


THIS DRAWING IS UNPUBLISHED. RELEASED FOR PUBLICATION
 © COPYRIGHT - By - ALL RIGHTS RESERVED.

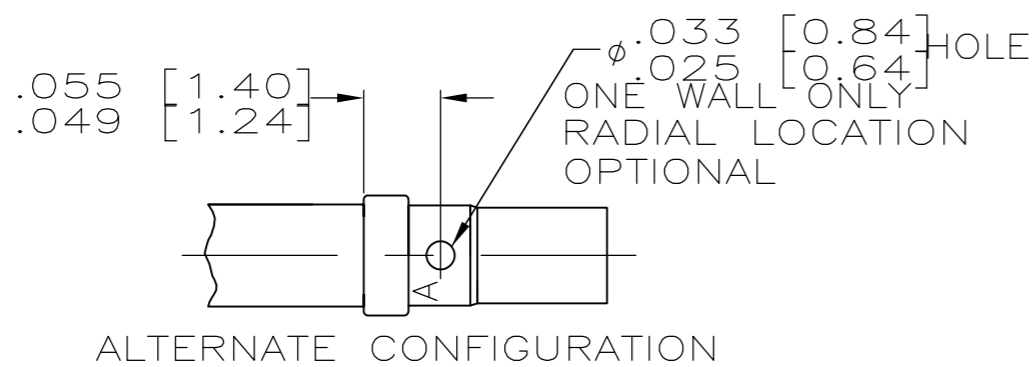
REVISIONS				DATE	DWN	APVD
P	LTR	DESCRIPTION				
T		REV PER ECO 14-014240	10-3-14	CT		CD



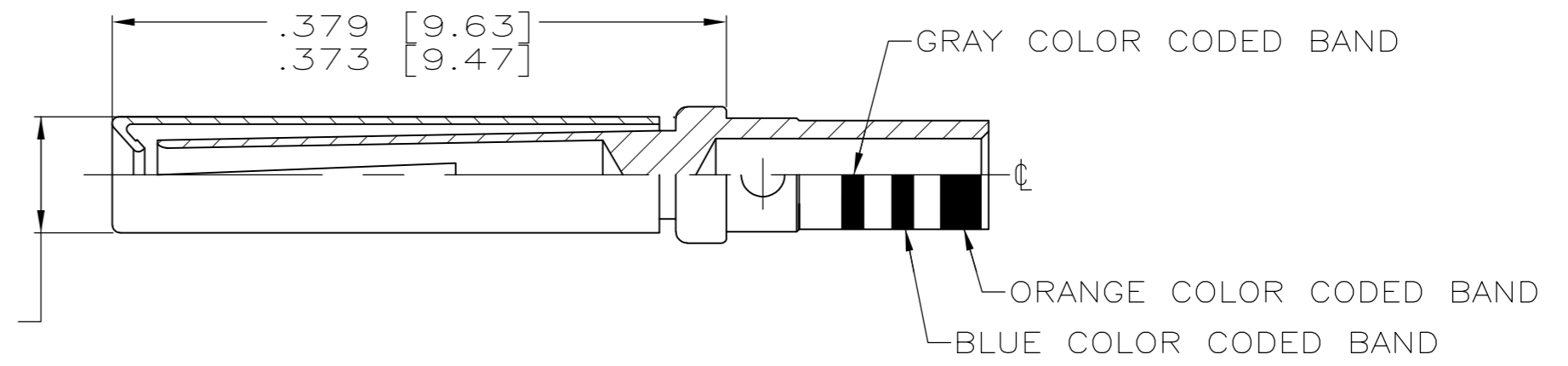
205090-2
SCALE 2:1



COLOR CODE
BIN NO. 368
SCALE 10:1



ALTERNATE CONFIGURATION



- ALL DIMENSIONS APPLY AFTER PLATING.
- CONTACT QUALIFIED TO SAE-AS39029/63-368.
- ALL DIAMETERS CONCENTRIC WITH EACH OTHER WITHIN .004 T.I.R.
- POINT OF PLATING MEASUREMENT .150 [3.81] FROM WIRE BARREL END OF CONTACT.
- ALL SURFACES HAVE $\sqrt{63}$ OR BETTER FINISH.
- GOLD PLATED .000050 MIN THK PER ASTM-B-488 TYPE II, GRADE C, CLASS 1.25 OVER NICKEL .000050 MIN THK PER AMS-QQ-N-290 IN MATING AREAS. GOLD FLASH PER ASTM-B-488 OVER .000050 MIN THK NICKEL PER AMS-QQ-N-290 IN NON MATING AREAS.
- GOLD PLATED PER ASTM B 488 TYPE 3, GRADE C, CLASS .75 OVER NICKEL PER QQ-N-290.
- SLEEVE MAY BE CRIMPED, DIMPLED OR PRESS FIT TO BODY
- MANUFACTURER'S LOGO ("A" OR "- . .") LOCATION OPTIONAL.
- RESTRICTED PART NUMBER

SUPERSEDED BY 1218267-3	NO	∇	LOOSE PIECE	2-205090-1
	YES	∇	TAPE MOUNTED	205090-2
	YES	∇	LOOSE PIECE	205090-1
COLOR CODE	FINISH	DESCRIPTION	PART NUMBER	

THIS DRAWING IS A CONTROLLED DOCUMENT.		DWN C.C.THOMAS 8-17-04	TE Connectivity	
DIMENSIONS: INCHES [mm]		CHK D.MILLER 8-17-04		
TOLERANCES UNLESS OTHERWISE SPECIFIED:		APVD D.MILLER 8-17-04	NAME CONTACT ASSY, SOCKET, SIZE 20,AMPLIMITE	
0 PLC ± -		PRODUCT SPEC	SIZE CAGE CODE DRAWING NO RESTRICTED TO	
1 PLC ± -		APPLICATION SPEC	A2 00779 C=205090	
2 PLC ± -		WEIGHT -	SCALE 20:1 SHEET 1 OF 1 REV T	
3 PLC ± .005 [0.13]		CUSTOMER DRAWING		
4 PLC ± -				
ANGLES ± -				
FINISH SEE CALLOUTS				