



On when
it counts.



Application

- Main power indication
 - Remote power indication
 - Status indication
 - Maintenance and warning indication
 - Instrumentation
- ...and many more!

Certifications & Ratings

- RoHS compliant

Features & Benefits

- Low power consumption - uses up to 90% less energy than an incandescent indicator
- No heat generated
- Long life, lasting up to 100K hours
- Colors include red, green, yellow, and blue
- Front panel mounting

Mechanical Information:

Mounting hole size:	0.492" (12.5mm)
Max panel thickness:	0.236" (6.3mm)
Mounting torque:	0.217 lbs/ft (3 kg/cm)

Electrical Specifications:

Operating voltage:	6, 12 & 24VDC (no resistor required)
Operating temperature:	-4°F to +167°F (-20°C to +75°C)
Storage temperature:	-40°F to +212°F (-40°C to +100°C)
Electrical connection:	Solder terminals and wire leads

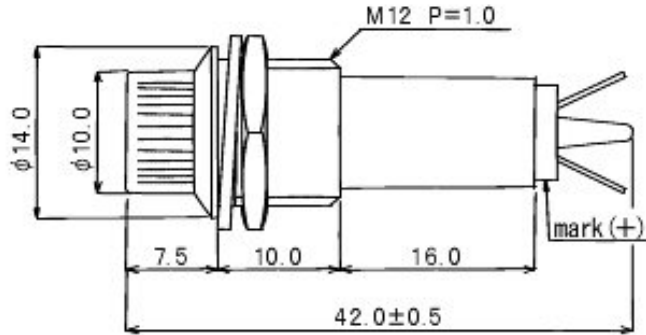
Construction:

Housing:	Polycarbonate
-----------------	---------------

All values typical unless otherwise stated



Panel Mount Indicator Dimensions



Dimensions are in mm

Part Number	Color	Voltage (VDC)	Current (mA)	Typical Intensity (mcd)
680-3132-221F	RED	6	30	335
680-3232-222F	GREEN	6	30	4070
680-3332-223F	YELLOW	6	30	1025
680-3432-224F	BLUE	6	30	730
680-3132-231F	RED	12	30	335
680-3232-232F	GREEN	12	30	4070
680-3332-233F	YELLOW	12	30	1025
680-3432-234F	BLUE	12	30	730
680-3132-241F	RED	24	30	335
680-3232-242F	GREEN	24	30	4070
680-3332-243F	YELLOW	24	30	1025
680-3432-244F	BLUE	24	30	730

*For wire leads replace the 7th digit with "5". For example 678-1115-321F

Dialight reserves the right to make changes at any time in order to supply the best product possible. The most current version of this document will always be available at: www.dialight.com/Assets/Brochures_And_Catalogs/Illumination/MDEL682CR.pdf

Warranty Statement: EXCEPT FOR THE WARRANTY EXPRESSLY PROVIDED FOR [HEREIN/ABOVE/BELOW], DIALIGHT DISCLAIMS ANY AND ALL OTHER WARRANTIES, EXPRESS OR IMPLIED, INCLUDING, WITHOUT LIMITATION, ANY WARRANTIES OF MERCHANTABILITY, FITNESS FOR A PARTICULAR PURPOSE, TITLE, AND NON-INFRINGEMENT.