

MICRO SWITCH

A DIVISION OF MINNEAPOLIS-HONEYWELL REGULATOR COMPANY
PASCAGO, MINNESOTA
FED. MFR CODE 91929

SWITCH - BASIC

CATALOG LISTING

BZ-2RW824-A2

M BZ-2RW824-A2

PAGE 1 OF 1

DRAWING NUMBER

ISSUE

9

REPLACES

RELEASE NO

CHECK

CHECK

CHECK

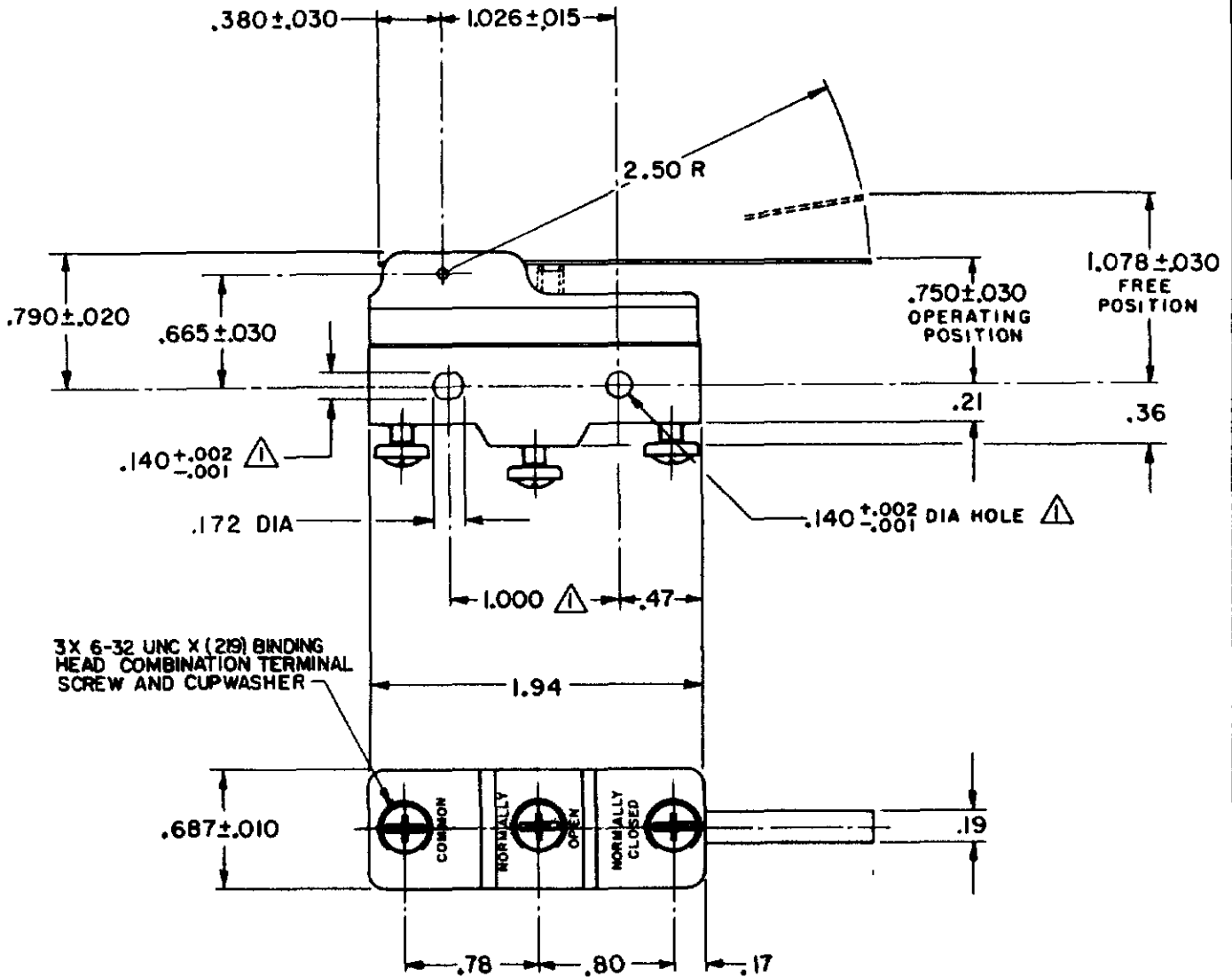
CHECK

CHECK

CHECK

CHECK

CHECK



NOTE

- △ - MOUNTING HOLES WILL ACCEPT PINS OR SCREWS OF .139 MAX DIA ON 1.000 ± .002 CENTERS
- 2 - SWITCH WILL WITHSTAND TEMPERATURE OF 250° F

THIS DRAWING COVERS A PROPRIETARY ITEM AND IS THE PROPERTY OF MICRO SWITCH, A DIVISION OF MINNEAPOLIS-HONEYWELL REGULATOR CO. THIS DRAWING IS NOT TO BE COPIED OR USED WITHOUT THE APPROVAL OF MICRO SWITCH.

CHARACTERISTICS

OPERATING FORCE ----- 2 1/2 OZ MAX

RELEASE FORCE ----- 1/2 OZ MIN

DIFFERENTIAL TRAVEL ----- .007 - .050

OVERTRAVEL ----- .219 MIN

ELECTRICAL DATA

CONTACT ARRANGEMENT
S P D T

UL LISTED-FILE E12252
15A-125, 250 OR 480 VAC, 2A-600 VAC
1/8 HP-125 VAC; 1/4 HP-250 VAC
1/2A-125 VDC; 1/4A-250 VDC

CODE L74
L288
L299
L306

CE D S

16A 250V ~ T85 5E4

SCALE FULL

DO NOT SCALE PRINT

UNLESS OTHERWISE SPECIFIED
DIMENSIONS ARE IN INCHES

TOLERANCES ARE:

ONE PLACE (0) ± .030
TWO PLACE (00) ± .015
THREE PLACE (.000) ± .005
ANGLES ±

WEIGHT .073 LB

FORMTEK

FO-80378

DRAWN

30 APRIL 62

DAW

11 MAY 62

GCH