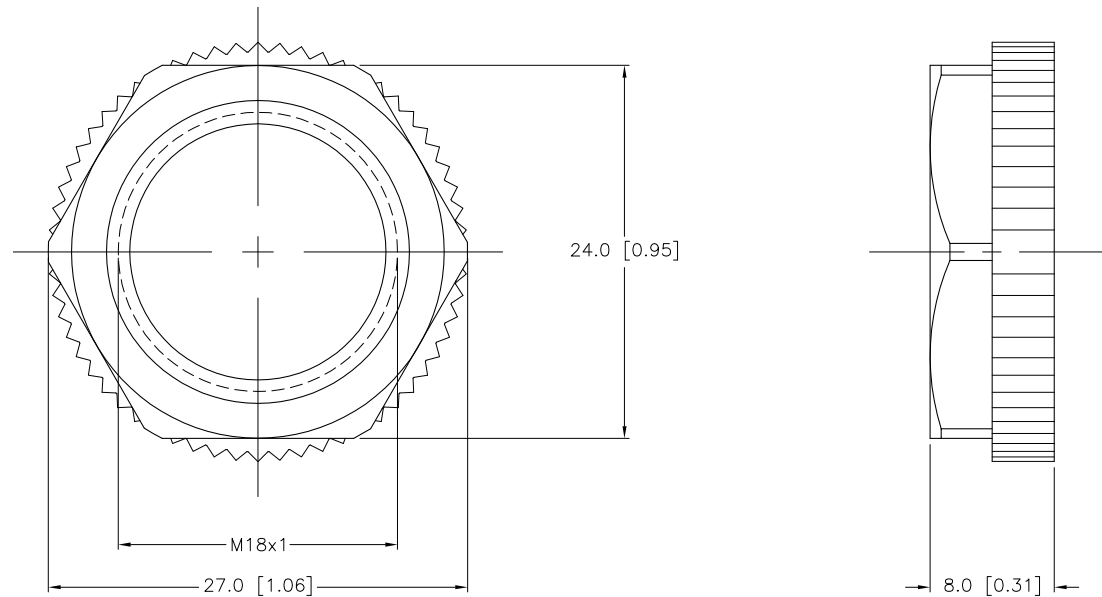


SPECIFICATIONS

MATERIAL/COLOR	PA 66 NYLON/BLACK
-	-



SOURCE DRAWING - FOR REFERENCE ONLY

RELATED DOCUMENTS		3RD ANGLE PROJECTION		THIS DRAWING IS PROPERTY OF TURCK INC. USE OF THIS DOCUMENT WITHOUT WRITTEN PERMISSION IS PROHIBITED.		TURCK INC High Technology Sensors and Automation Controls 3000 CAMPUS DRIVE MINNEAPOLIS, MN 55441 1-800-544-7769 (763) 553-7300 (763) 553-0708 fax turck.com	
1. 2. 3. 4.				DRFT	JB	DATE	08/30/00
MATERIAL		ALL DIMENSIONS DISPLAYED ON THIS DRAWING ARE FOR REFERENCE ONLY		DSGN	JB	SCALE	2=1.0
SEE SPECIFICATIONS		CONTACT TURCK FOR MORE INFORMATION		UNIT OF MEASUREMENT		DESCRIPTION	
FINISH		MILLIMETER [INCH]		IDENTIFICATION NO.		LN-P18	
SEE SPECIFICATIONS		DO NOT SCALE THIS DRAWING		A3448		REV	
A		DRAWING RELEASE		JB		08/30/00	
REV		DESCRIPTION		BY		DATE	
		ECO NO.		FILE: A3448		SHEET 1 OF 1	

A	DRAWING RELEASE	JB	08/30/00	
REV	DESCRIPTION	BY	DATE	ECO NO.