

# Product data sheet

## Characteristics

# 9001KR1U

## 30MM PUSH BUTTON FULL GUARD

Product availability: Stock - Normally stocked in distribution facility

Price\*: 38.60 USD



### Main

Commercial Status	Commercialised
Range of product	Harmony 9001K
Product or component type	Head for spring return push-button
Device short name	9001K
Operator profile	Flush, marking: unmarked
Operator additional information	Set of 7 color caps

### Complementary

Mounting diameter	1.18 in (30 mm)
Shape of signaling unit head	Round
Type of operator	Spring return
Product weight	0.19 lb(US) (0.087 kg)

### Ordering and shipping details

Category	21426 - 9001 K (NOT KA,KM,KX)
Discount Schedule	CS1
GTIN	00785901874706
Nbr. of units in pkg.	1
Product availability	Stock - Normally stocked in distribution facility
Returnability	Y
Country of origin	MX

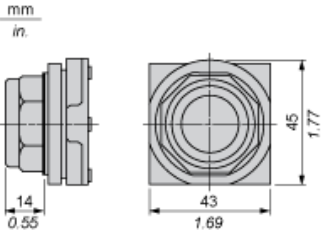
### Offer Sustainability

RoHS (date code: YYWW)	Compliant - since 0921 - <a href="#">Schneider Electric declaration of conformity</a>
REACH	Reference not containing SVHC above the threshold

### Contractual warranty

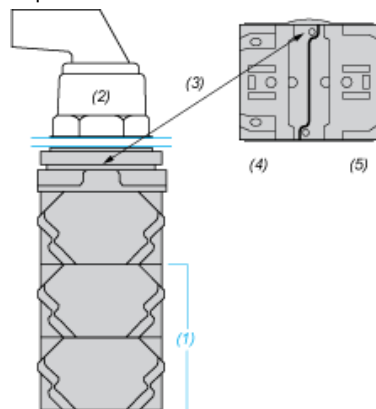
Warranty period	18 months
-----------------	-----------

Dimensions



Contact Block Mounting Position

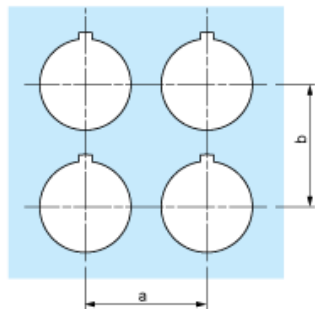
Top and Rear views



- (1) It is possible to mount up to 3 levels of contacts blocks (maximum of 6 contacts blocks)
- (2) Operator
- (3) Locating notch
- (4) Side 1
- (5) Side 2

Panel Cut-Out

Clearance



Legend plate	a min.		b min.	
	mm	in.	mm	in.
9001KN2••	57.2	2.25	44.5	1.75
9001KN3••	57.2	2.25	50.8	2.00

# Individual Cut-outs Details

2 alternatives

mm  
in.

