

BTA® Size 3EV

Part Numbers: Clockwise Rotation 195191-0XX
Counter-Clockwise Rotation 195623-0XX

All catalog products manufactured after
April 1, 2006 are RoHS Compliant

ROTARY BTA®

Performance

Maximum Duty Cycle	100%	50%	25%	10%
Maximum ON Time (sec)	∞	10	3	1
when pulsed continuously ¹	-----			
Maximum ON Time (sec)	∞	26	10	4
for single pulse ²	-----			
Typical Energize Time (msec) ³	25	17	12	9
Watts (@ 20°C)	13	26	52	130
Ampere Turns (@ 20°C)	362	512	729	1,144

Coil Data

avg (0XX) ⁴	Resistance (@20°C)	# Turns ⁵	VDC (Nom)	VDC (Nom)	VDC (Nom)	VDC (Nom)
23	0.26	44	1.9	2.6	3.7	5.9
24	0.38	50	2.2	3.1	4.4	7.0
25	0.53	56	2.6	3.7	5.2	8.3
26	1.54	126	4.5	6.3	9.0	14.2
27	2.15	140	5.3	7.5	10.6	16.7
28	3.04	158	6.3	8.9	12.6	19.9
29	4.24	176	7.4	10.5	14.9	23.5
30	9.16	297	10.9	15.4	21.8	34.5
31	12.90	333	12.9	18.3	25.9	40.9
32	18.04	372	15.3	21.6	30.6	48.4
33	34.10	552	21.0	29.8	42.1	66.5
34	47.70	616	25.0	35.2	49.8	78.7

Specifications

Dielectric Strength	1,000 VRMS (23-28 awg); 1,200 VRMS (29-34 awg)
Recommended Minimum Heat Sink	Maximum watts dissipated by solenoid are based on an unrestricted flow of air at 20°C, with solenoid mounted on the equivalent of an aluminum plate measuring 4-5/8" square by 1/8" thick
Thermal Resistance	8.53 (°C/watt)
Rotor Inertia	9.14 (gm-cm ²)
Weight	5.0 oz (142 gms)
Dimensions	Ø1.375" x 0.890" (See page C10)

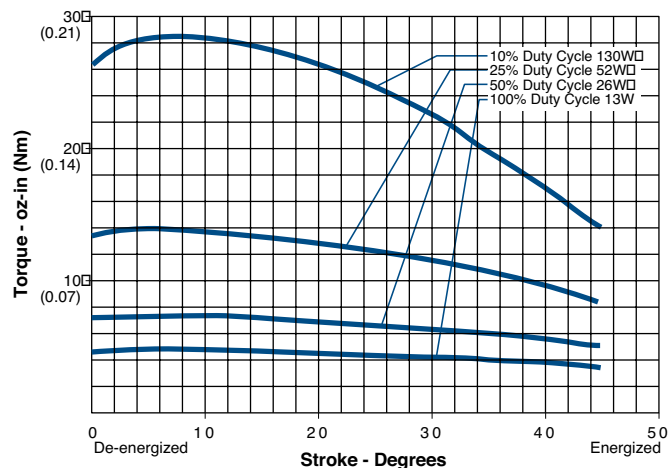
How to Order

Add the coil awg number (0XX) to the part number (for example: to order a 25% duty cycle clockwise rotation unit rated at 25.9 VDC, specify 195191-031).

Please see www.ledex.com (click on Stock Products tab) for our list of stock products available through our North American distributors.

- Continuously pulsed at stated watts and duty cycle
- Single pulse at stated watts (with coil at ambient room temperature 20°C)
- Typical energize time based on a 0.8 oz-in torque load including 14 gm-cm² of inertia
- Other coil awg sizes available — please consult factory
- Reference number of turns

Size 3EV — Typical Torque @ 20°C



Notes:

- Torque curves shown are without spring.
- Typical standard spring has a torque of 1.9 oz-in.
- Torque values are for reference only.

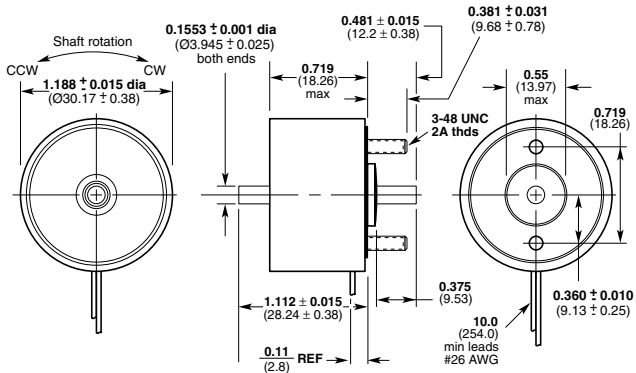
All specifications subject to change without notice.

BTA® Dimensions

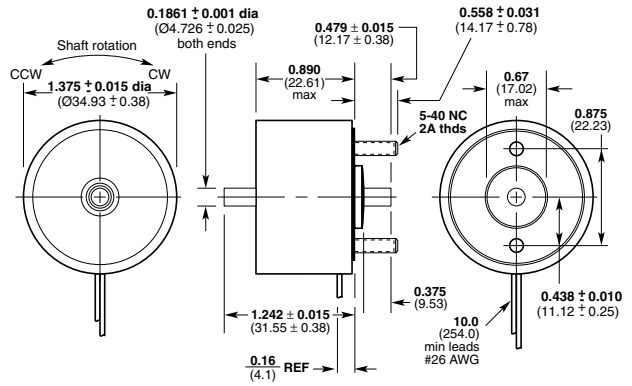
inches (mm)

ROTARY BTA®

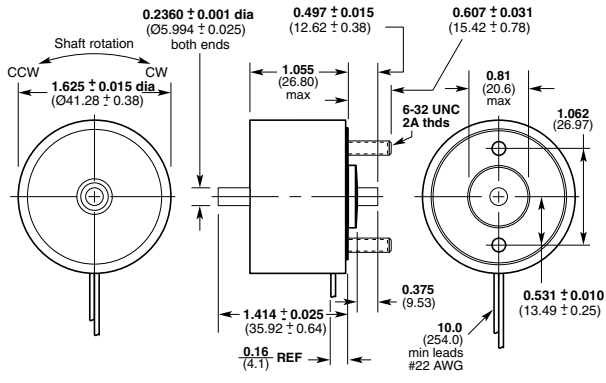
Size 2EV



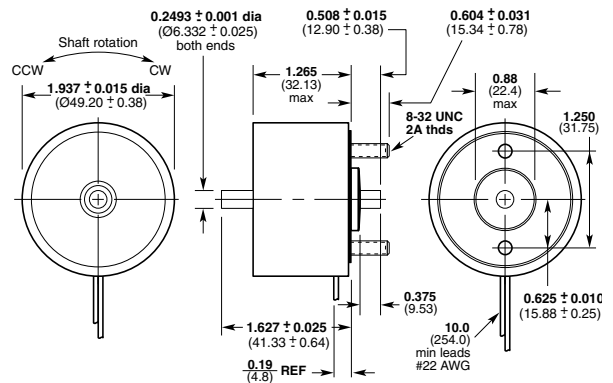
Size 3EV



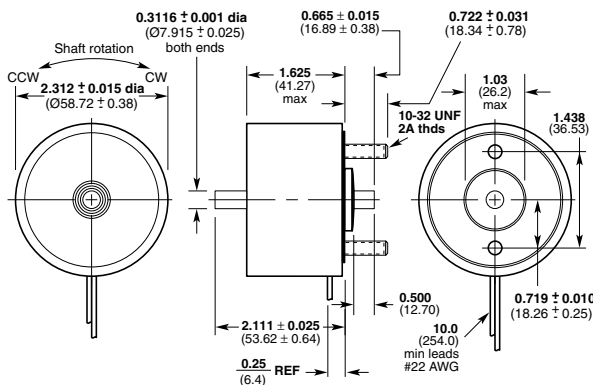
Size 4EV



Size 5EV



Size 6EV



All specifications subject to change without notice.