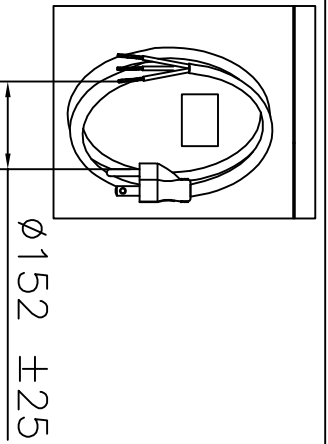


VOLEX RESERVES THE RIGHT TO ALTER NON-CRITICAL DIMENSIONS WITHOUT NOTICE.

PACKAGING: COILED AND BAGGED



- NOTES:
- 1) CORDAGE: 14/3 SJD, 90°C, BLACK
 - 2) APPROVALS:
 - 3) RATING: 15 AMP/125 VOLTS
 - 4) PACKAGING: 20 BAGGED CORDS PER CARTON
 - 5) ALL DIMENSIONS IN MILLIMETERS.

4	CHGD FROM SJ TO SJD	04/14/10
3	REMOVED 60C RATING	03/28/11
2	REVISED AND REDRAWN; CARTON QTY CHANGE	10/30/07
1	C.U.D - NEW RELEASE	9/24/07
REV	DESCRIPTION	DATE

<input checked="" type="checkbox"/> Indianapolis, IN <input type="checkbox"/> Conover, N.C. <input type="checkbox"/> Freemont, CA <input type="checkbox"/> Aguascalientes, MX <input type="checkbox"/> Tijuana, Mexico <input type="checkbox"/> Hermosillo, MX <input type="checkbox"/> Clinton, AR <input type="checkbox"/> Kanata, Canada	Proprietary Notice: This document is the property of Volex Incorporated. The information contained herein is not to be disclosed to anyone without the express written consent of Volex Inc.	MATERIAL: PLUG: PVC, BLACK JACKET: RUBBER, BLACK	FINISH: JACKET: SMOOTH
--	--	---	----------------------------------

SCALE: NOT TO SCALE TOLERANCE UNLESS OTHERWISE SPECIFIED .XXX ± .005 .XX ± .02 X ± .03 FRACT. ± 1/32 ANGULAR ± 1/2°	ITEM DESCRIPTION: CORDSET - NORTH AMERICAN POWER SUPPLY CORD (15')	APPROVED: STC DRAWN BY: STC DATE: 9/24/07	PART NO.: 17635 10 S2
---	--	---	-----------------------

