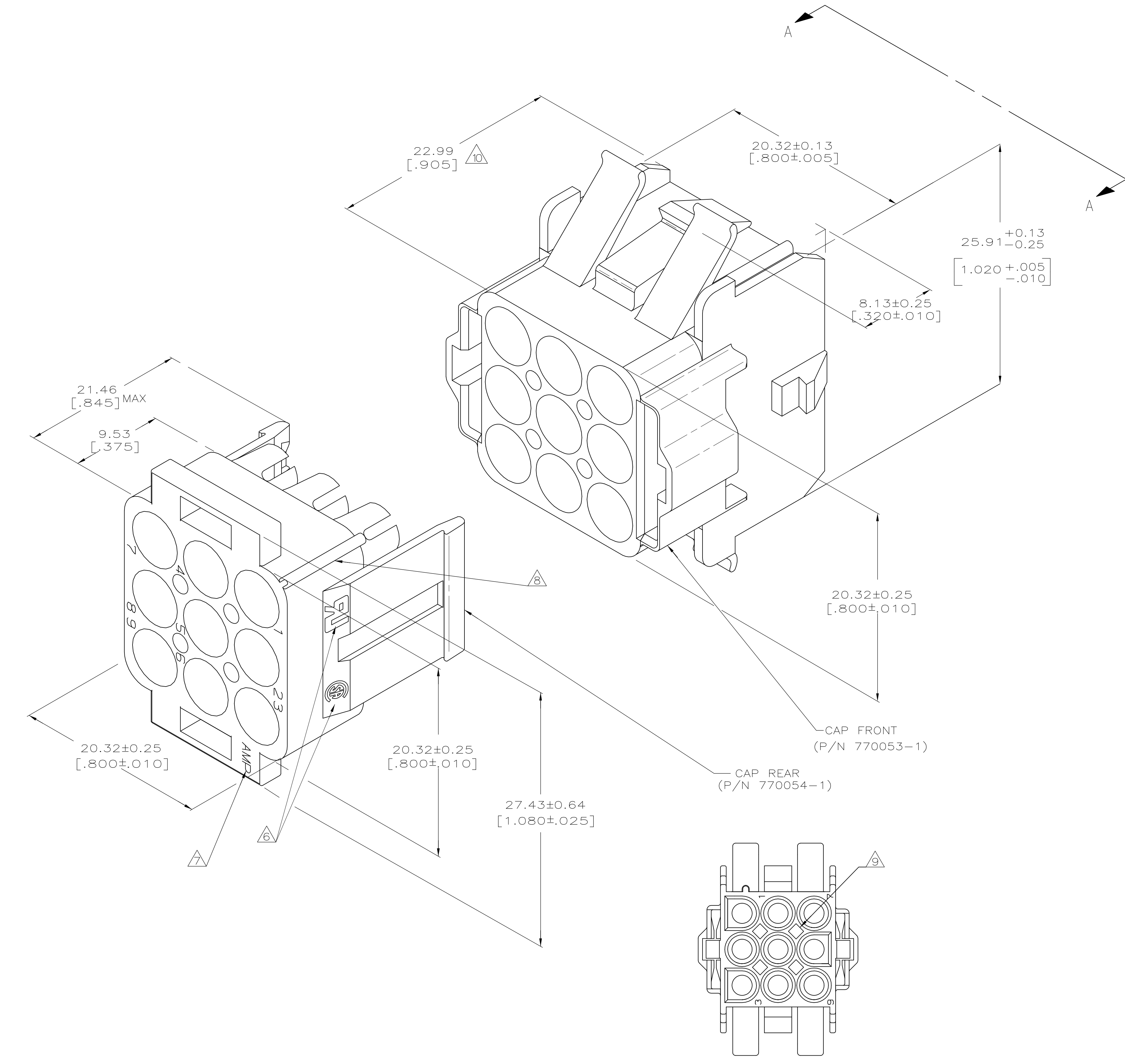
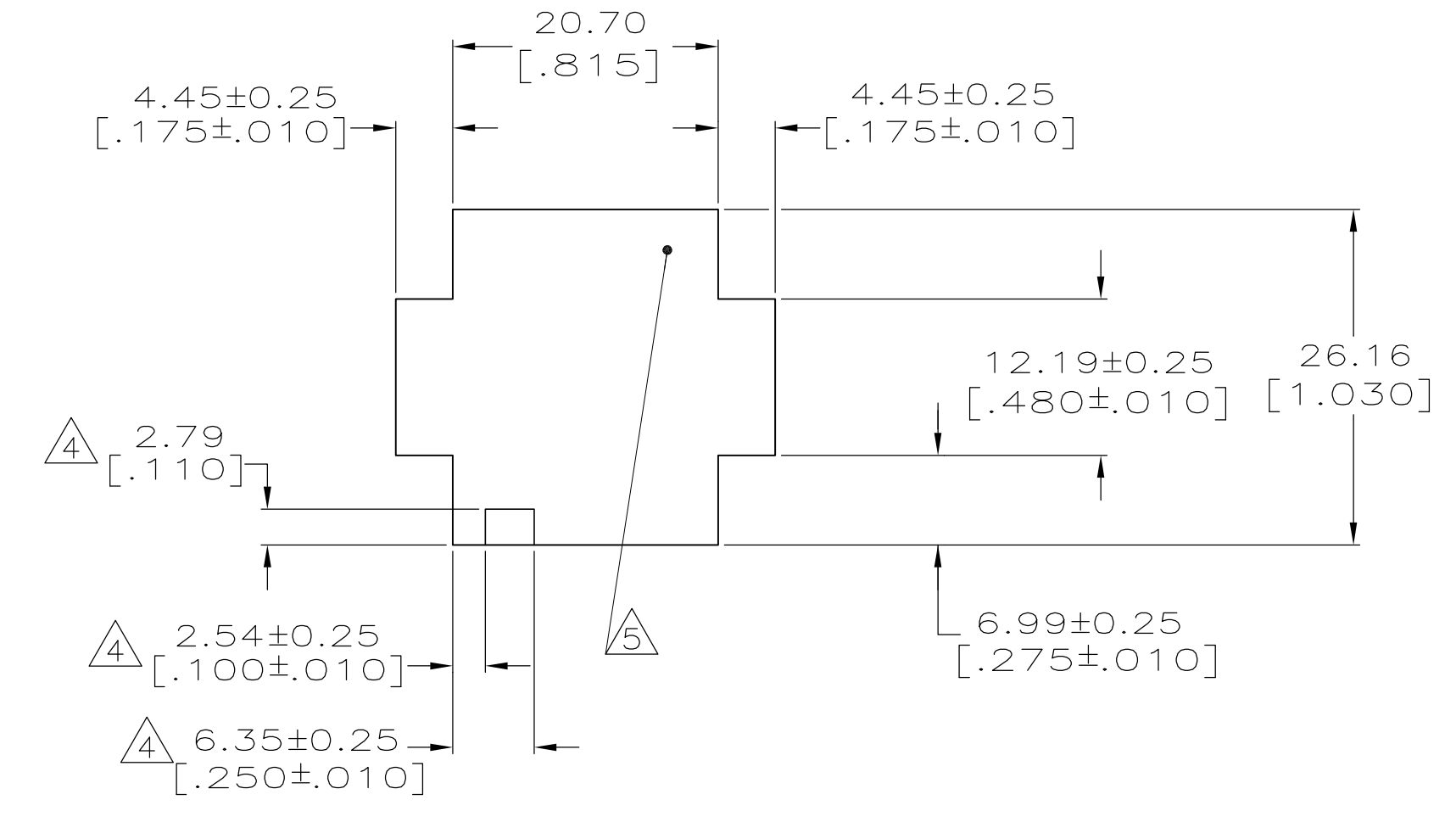


REVISIONS					
P	LTR	DESCRIPTION	DATE	DMN	APVD
J2		REVISED PER ECO-14-009556	03JUL2017	RS	SW

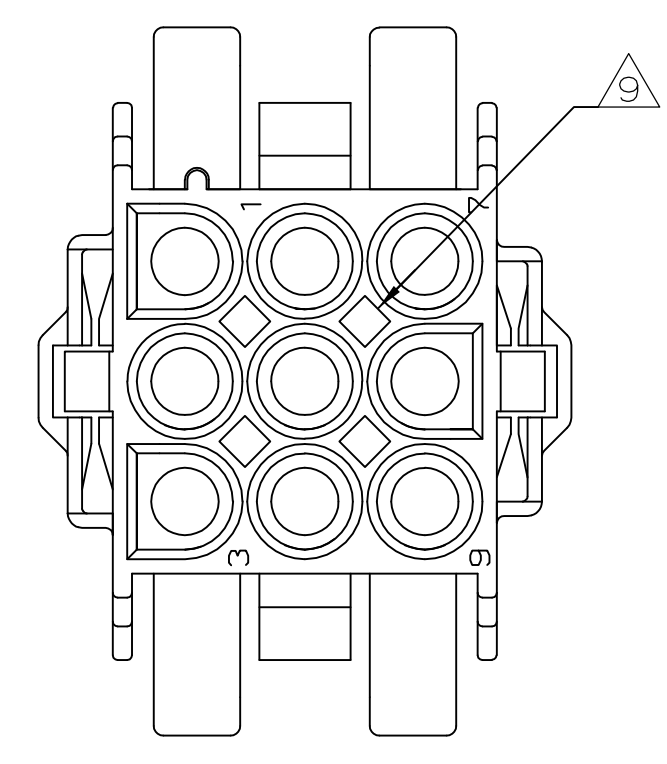


- 1. BULK PACKAGED, UNASSEMBLED.
- 2. RECOMMENDED PANEL THICKNESS 0.76-2.29 [.030-.090].
- 3. PANEL MUST BE PUNCHED SO THAT THE HOUSING ENTERS THE PANEL IN THE SAME DIRECTION AS THE PUNCH.
- 4. OPTIONAL FOR KEYING HOUSING IN PANEL.
- 5. CIRCUIT NO. 1 LOCATON.
- 6. APPROVAL AGENCY LOGO LOCATED APPROXIMATELY AS SHOWN.
- 7. AMP LOGO LOCATED THIS SURFACE.
- 8. CIRCUIT NUMBER ONE IDENTIFICATION RIB AND CIRCUIT IDENTIFICATION NUMBERS ARE EACH LOCATED ADJACENT TO THE APPROPRIATE CIRCUIT CAVITIES.
- 9. OPTIONAL CONSTRUCTION PROVIDES ROUND MATERIAL REDUCTION CORING HOLES.

10. DIMENSIONS SHOWN REPRESENT PRODUCT IN DRY, AS MOLDED CONDITION. ADDITIONAL 2% GROWTH DUE TO SUBSEQUENT MOISTURE ABSORPTION MAY OCCUR AND SHOULD BE ACCOUNTED FOR



RECOMMENDED PANEL CUTOUT (HOUSING ENTRY SIDE) SCALE 2:1



VIEW A-A SCALE 2:1

770028-1  
PART NUMBER

THIS DRAWING IS A CONTROLLED DOCUMENT.		DIN K. SALMON 1-22-92	TE Connectivity	
DIMENSIONS: INCHES		CHK R. SWING 1-22-92	APVD	
TOLERANCES UNLESS OTHERWISE SPECIFIED:		NAME		
0. PLC ± -	1. PLC ± -	PRODUCT SPEC		
2. PLC ± -	3. PLC ± 0.13 [.005]	APPLICATION SPEC		
4. PLC ANGLES ± -		SIZE CAGE CODE DRAWING NO. RESTRICTED TO		
MATERIAL NYLON,UL94V-0.	FINISH -	WEIGHT 0.000000	A1 00779 C=770028	
CUSTOMER DRAWING		SCALE 5:1	SHEET 0 OF 0	REV J2