

THE INFORMATION CONTAINED IN THIS DRAWING IS THE SOLE PROPERTY OF ANDERSON POWER PRODUCTS. ANY REPRODUCTION IN PART OR WHOLE WITHOUT THE WRITTEN PERMISSION OF ANDERSON POWER PRODUCTS IS PROHIBITED.

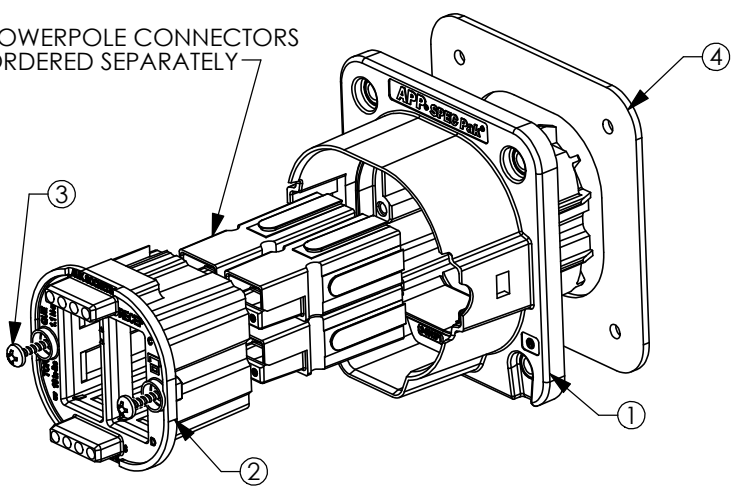
Copyright 2012

ANDERSON POWER PRODUCTS RESERVES THE RIGHT TO ALTER PRODUCT TYPES, THEIR TECHNICAL DATA, DIMENSION, STYLE AND ACCESSORIES WITHOUT PRIOR NOTIFICATION.

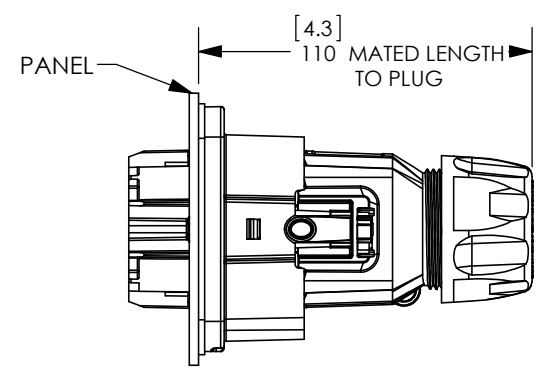
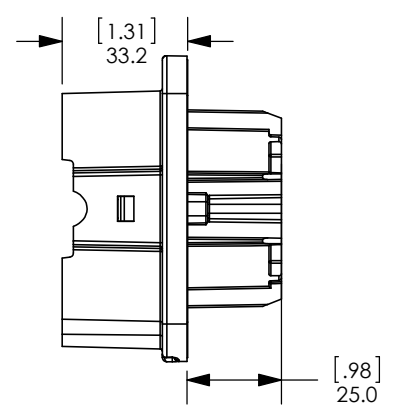
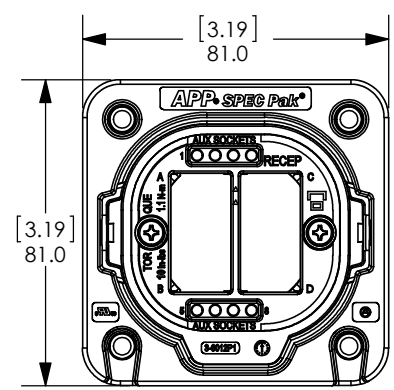
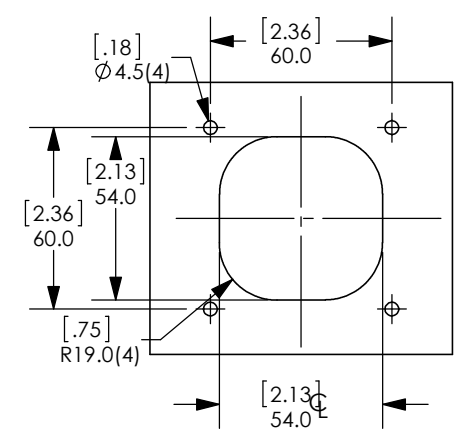
COMPONENTS INCLUDED

ITEM	QTY	DESCRIPTION
1	1	PANEL RECEPTACLE HSG WITH O-RING
2	1	RECEPTACLE HOLDER FOR PP75
3	2	M3.5 SELF-TAPPING SCREWS
4	1	PANEL GASKET

POWERPOLE CONNECTORS ORDERED SEPARATELY



PANEL CUT-OUT



KIT PART NO. SK2-076C04

NOTES:

- MATERIALS:
 - RECEPTACLE HOUSING AND HOLDER- PBT BLACK
 - PANEL GASKET: EPDM- BLACK
- FOR USE WITH PP75 CONTACTS AND HOUSINGS (ORDERED SEPARATELY)
- HOLDER ACCEPTS UP TO EIGHT POWERMOD® SOCKET CONTACTS (ORDERED SEPARATELY®)
- REFER TO ASSEMBLY INSTRUCTIONS (1S6576)
- MOUNTING SCREWS (M4 OR #8) NOT INCLUDED

DIMENSIONS ARE IN:	MM [INCH]	APPROVALS			ANDERSON POWER PRODUCTS		
UNLESS OTHERWISE STATED		DRAWN			TITLE		
TOLERANCES:		CMS	5/21/2012	MID POWER SPEC PAK PANEL RECEPTACLE KIT			
DECIMALS (INCH)	DECIMALS (MM)	ANGLES					
.XX ±.02	.X ±.5	±2°					
SURFACE FINISH:		MFG APPRV	5/24/2012	SIZE			
MACHINED	3.2µ [128µin]	CHB					
MOLDED	1.6µ [64µin]	QC APPRV		115160S1		0	
MATERIAL:		UFN	5/24/2012	SCALE		CADFILE	SHEET
SEE DATA SHT.		ENG APPRV		NONE		03712	1 OF 1
FINISH:		BD	5/24/2012	-CAD GENERATED DRAWING- DO NOT MANUALLY UPDATE DO NOT SCALE			

REV.	DESCRIPTION	APPRV	DATE
REVISIONS			