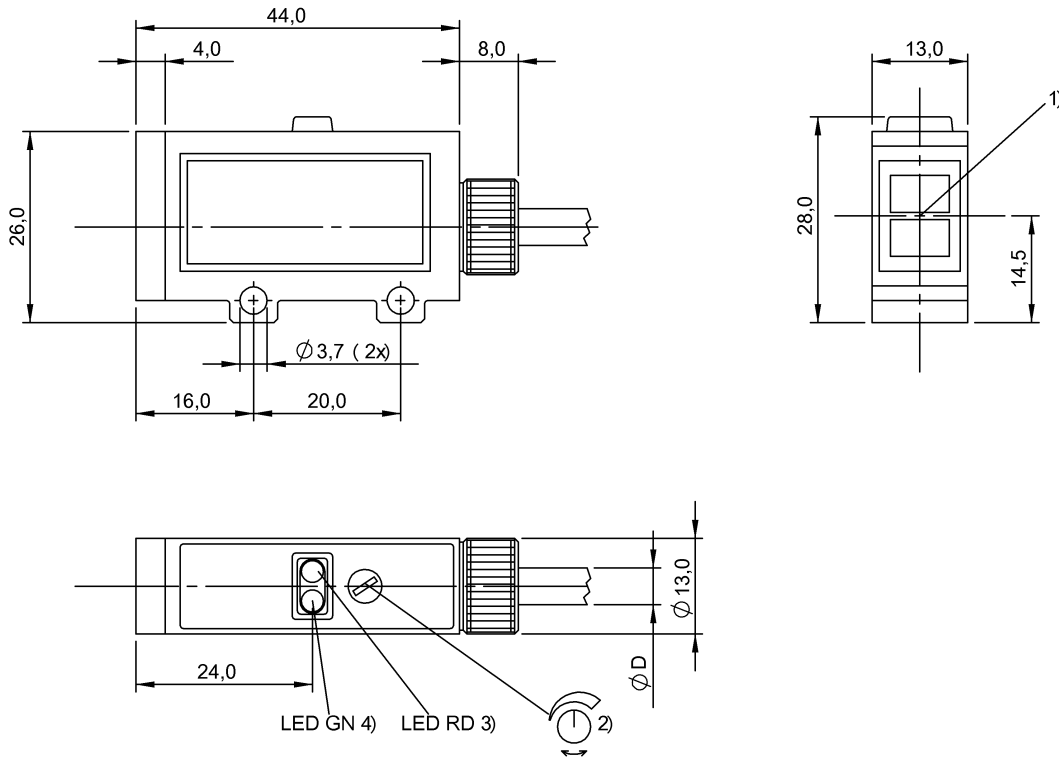


BOS 15K-S-C10-02 BOS00FR



1) Optical axis 2) Sn 3) Output function 4) stability



Display/Operation

| | |
|----------|-------------------------------|
| Adjuster | Potentiometer 270° (1x) |
| Setting | Rated switching distance (Sn) |

Electrical connection

| | |
|-----------------------------|----------------------|
| Cable diameter D | 5.00 mm |
| Cable length | 2 m |
| Conductor cross-section | 0.25 mm ² |
| Connection type | Cable, 2.00 m, PVC |
| Number of conductors | 5 |
| Polarity reversal protected | yes |
| Short-circuit protection | yes |

Electrical data

| | |
|-------------------------------------------|-------------|
| Hysteresis H max. (% of Sr) | 20.0 % |
| Load capacitance max. at Ue | 0.5 µF |
| No-load current I _o max. at Ue | 30 mA |
| Operating voltage U _b | 10...30 VDC |
| Rated insulation voltage U _i | 75 V DC |
| Rated operating current I _e DC | 100 mA |

| | |
|----------------------------------------------------|--------|
| Rated operating voltage U _e DC | 24 V |
| Repeat accuracy max. (% of Sr) | 5.0 % |
| Switching frequency | 500 Hz |
| Turn-off delay t _{off} max. | 1 ms |
| Turn-on delay t _{on} max. | 1 ms |
| Utilization category | DC -13 |
| Voltage drop U _d max. at I _e | 1.5 V |

Environmental conditions

| | |
|---------------------------|-------------|
| Ambient temperature | -15...55 °C |
| Protection type IEC 60529 | IP66 |

General data

| | |
|---------------------|-------------------------------|
| Approval/Conformity | CE |
| Basic standard | IEC 60947-5-2 |
| Series | 15K |
| Style | Square Straight connection |

Material

| | |
|------------------|-----|
| Housing material | ABS |
|------------------|-----|

BOS 15K-S-C10-02 BOS00FR

| | | | |
|--------------------------|------|------------------|---------------------------------------------------|
| Material jacket | PVC | Switching output | PNP/NPN Normally open/ Normally closed (NO/NC) |
| Material sensing surface | PMMA | | |

Mechanical data

| | |
|------------------|-----------------|
| Dimension | 13 x 28 x 52 mm |
| Fastening detail | Screw M3 |

Optical data

| | |
|---------------------|-----------|
| Ambient light max. | 3000 Lux |
| Beam characteristic | Divergent |
| Light type | Infrared |
| Wave length | 880 nm |

Output/Interface

| | |
|----------------|----------------------------------------------|
| Input function | Light-on/dark-on Switching output PNP/NPN |
|----------------|----------------------------------------------|

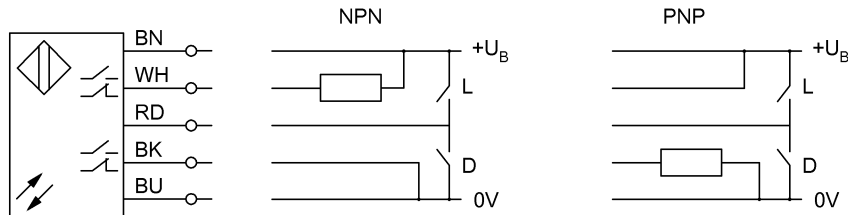
Range/Distance

| | |
|--------------------------------|--------------------|
| Measuring range | 1...100 mm |
| Range | 1...100 mm |
| Rated operating distance S_n | 100 mm, Adjustable |
| Ripple max. (% of U_e) | 8 % |

Remarks

Reference object (target): gray card, 100 x 100 90 % remission, axial approach.
For additional information, refer to user's guide.
Order accessories separately.
The sensor is functional again after the overload has been eliminated.

Wiring Diagram



Symbols for Optoelectronic Sensors

