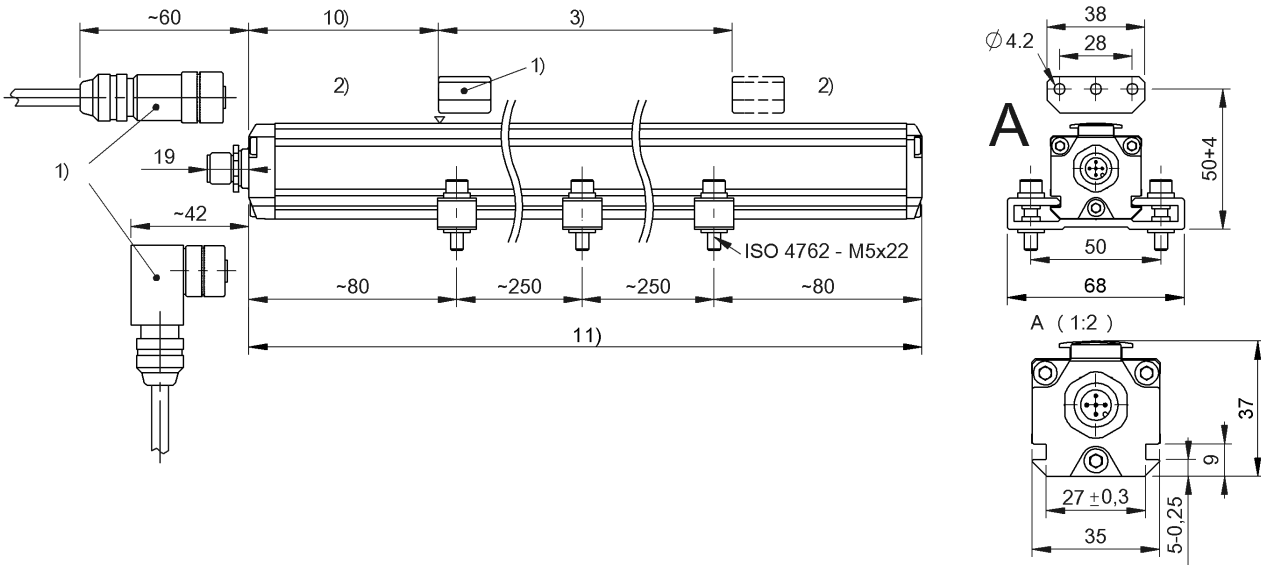


BTL5-H122-M2250-P-S94 BTL09AW



1) not included in scope of delivery 2) Non-usable area 3) Nominal length = Measuring length 10) Null point 11) Installation length



Electrical connection

Connection version	axial
Polarity reversal protected	yes

Electrical data

Baud rate	500 kBaud
Current consumption max. at 24 V DC	100 mA
Galvanic isolation	no
Inrush current	≤ 3 A/0.5 ms
MTTF (40 °C)	86 a
Operating voltage U_b	20...28 VDC
Output signal adjustable	with software tool
Overvoltage protection	yes
Voltage-proof up to (GND to housing)	500 V DC

Environmental conditions

Ambient temperature	-40...85 °C
EN 55016-2-3, Radiation	Industrial areas
EN 60068-2-27, Continuous shock	100 g, 2 ms
EN 60068-2-27, Shock	100 g, 6 ms
EN 60068-2-6, Vibration	12 g, 10...2000 Hz
EN 61000-4-2, ESD	Severity Level 3
EN 61000-4-3, RFI	Severity Level 3
EN 61000-4-4, Burst	Severity Level 3
EN 61000-4-5, Surge	Severity Level 2
EN 61000-4-6, High-frequency fields	Severity Level 3
EN 61000-4-8, Magnetic fields	Severity Level 4
Protection type IEC 60529	IP67 with connector
Relative humidity	≤ 90 %, non-condensing
Storage temperature	-40...100 °C

Functional safety

Functional safety	no
-------------------	----

General data

Approval/Conformity	CE cULus
Position encoders, number max.	4

Material

Housing material	Aluminum
Housing material, surface protection	anodized

Mechanical data

Fastening detail	Mounting clamps
Null point	73.0 mm

Output/Interface

Interface	CANopen DS301
-----------	---------------

Range/Distance

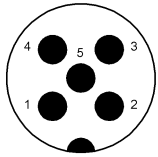
Non-linearity max.	±30 µm
Repeat accuracy	±1 LSB
Reproducibility	±1 LSB
Resolution	≤ 5 µm
Resolution min., traverse speed	0.1 mm/s
Sampling rate, length-dependent	1 kHz, standard

BTL5-H122-M2250-P-S94 BTL09AW

For further information on MTTF/B10d, please refer to the MTTF / B10d Certificate.

Specification of the MTTF value and the B10d value do not represent any binding quality and/or life expectancy guarantees.

Connector view



Wiring Diagram

Pin	
1	CAN_GND
2	+24 V DC
3	GND
4	CAN_HIGH
5	CAN_LOW