

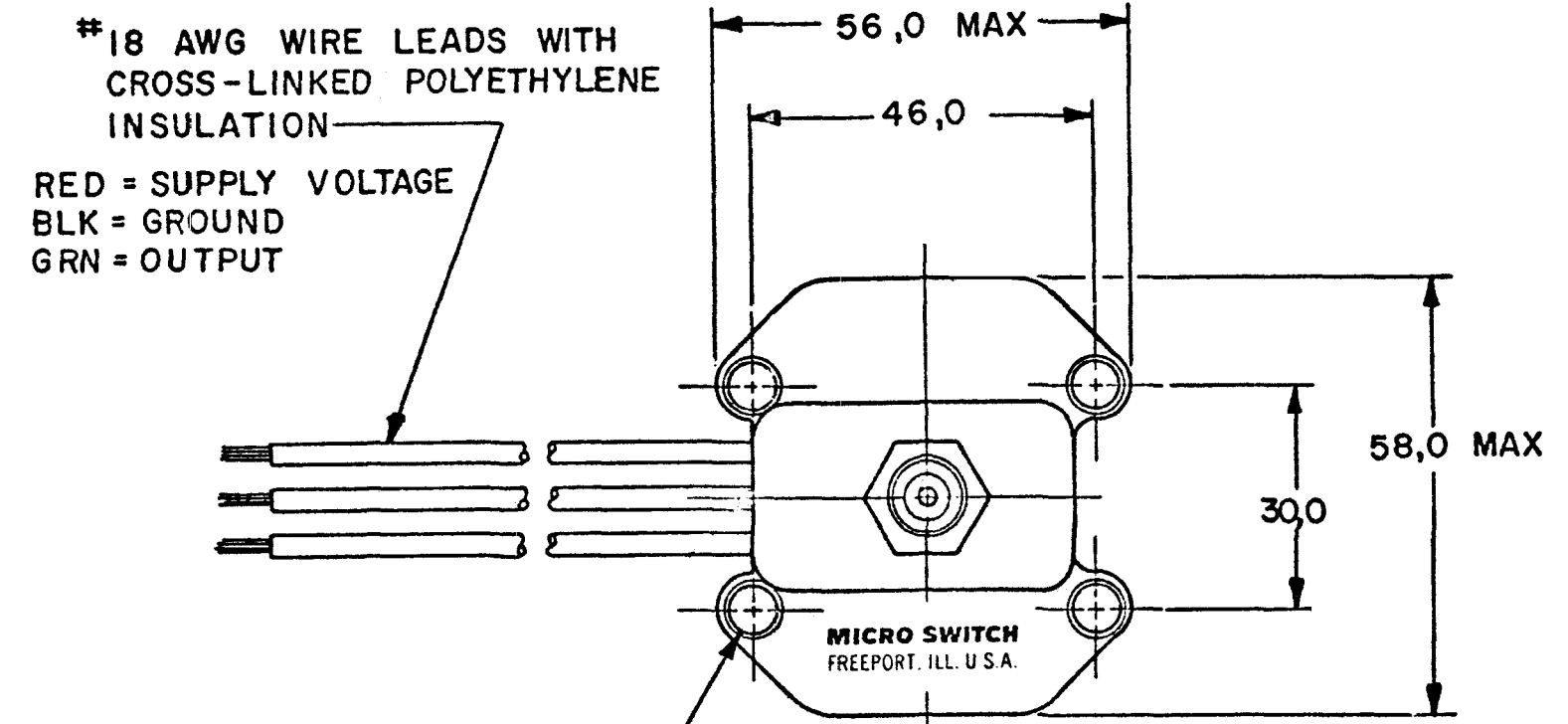
MICRO SWITCH
 FREEPORT, ILLINOIS, U.S.A.
 A DIVISION OF HONEYWELL
 FED. MFG. CODE 91929

**PRESSURE
 TRANSDUCER**

CATALOG LISTING
242PC100 SERIES
 CHART 1

THIS DRAWING COVERS A PROPRIETARY ITEM AND IS THE PROPERTY OF MICRO SWITCH, A DIVISION OF HONEYWELL. THIS DRAWING IS NOT TO BE COPIED OR USED WITHOUT THE APPROVAL OF MICRO SWITCH.

CATALOG LISTING 242PC100G	INPUT PORT SEAL MATERIAL BUNA-N	INPUT MEDIA COMPATIBILITY Δ 3 OILS, FUELS, LUBRICANTS
©	ETHYLENE PROPYLENE	STEAM, SOAPS, POLAR SOLVENTS

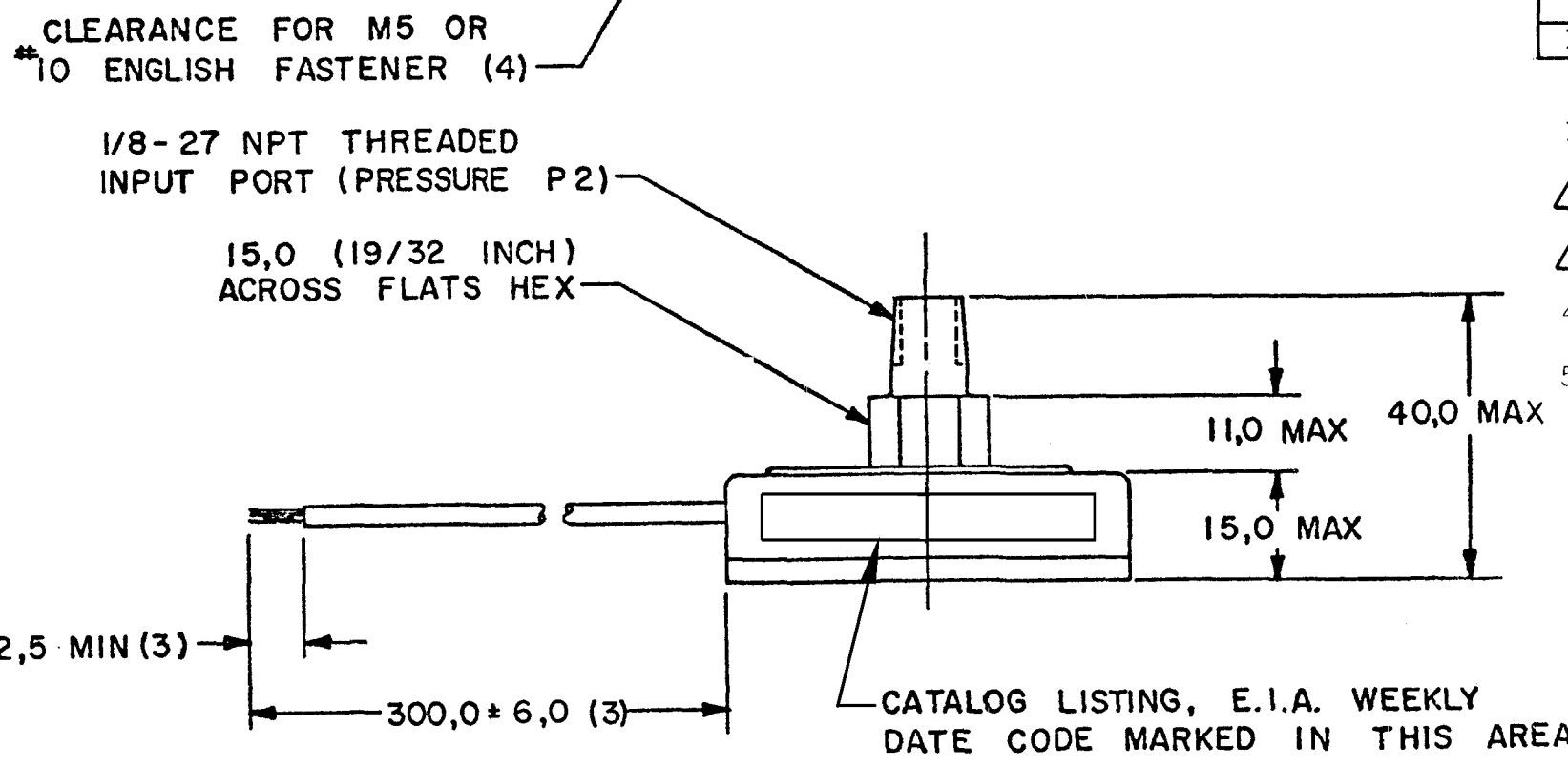


GENERAL OPERATING CHARACTERISTICS

PRESSURE RANGE	0 TO 100 PSIG (0 TO 689 KPa)
PROOF PRESSURE	200 PSI MAX (1379 KPa MAX)
BURST PRESSURE	800 PSI TYP (5516 KPa TYP)
TEMPERATURE RANGES	
STORAGE	-40° TO + 85°C
OPERATE	-40° TO +85°C
COMPENSATED	-18° TO +63°C
SUPPLY VOLTAGE	7.0 TO 16.0 VDC
SUPPLY CURRENT	20 mA MAX WITH 10K LOAD
SHORT CIRCUIT LIMIT	MAY BE SHORTED INDEFINITELY
OUTPUT VOLTAGE	PROPORTIONAL TO SUPPLY VOLTAGE
GROUND REFERENCE	SUPPLY AND OUTPUT ARE COMMON

ELECTRICAL PERFORMANCE AT 25°C AND 8.00 ± 0.01 VDC SUPPLY

NULL (0 PSIG)	1.00 ± 0.05 VDC
FULL SCALE (100 PSIG)	6.00 ± .200 VDC
SENSITIVITY	50 mV/PSI TYP
LINEARITY (% F.S.O.) Δ 2 (BFSL)	± 0.5% MAX
HYSTERISIS & REPEATABILITY (%F.S.O.) Δ 2	± 0.25% TYP
TEMPERATURE ERROR (%F.S.O.) Δ 2	
-18° < 25° > 63°C	± 1.0 MAX
-40° < 25° > 85°C	± 2.0 TYP
RESPONSE TIME	1 m SEC MAX



- NOTES**
- HOUSING IS BLACK ANODIZED ALUMINUM
 - F.S.O. IS THE ALGEBRAIC DIFFERENCE BETWEEN THE OUTPUT END POINTS (NULL AND FULL PRESSURE)
 - CONTACT MICRO SWITCH FOR MORE DETAILED INFORMATION CONCERNING MEDIA COMPATABILITY
 - MEETS MIL STD 202-F, METHOD 302, INSULATION RESISTANCE WITH 1000 VDC - MINIMUM 10 MEG OHMS
 - MEETS MIL STD 202-F, METHOD 301, DIELECTRIC STRENGTH WITH 1500 VDC - MAXIMUM 500 MICRO AMPS

METRIC	INCH	THIRD ANGLE PROJECTION																									
2,5	.10																										
30,0	1.18	SCALE FULL																									
11,0	.43	DO NOT SCALE PRINT																									
15,0	.59	TOLERANCES																									
40,0	1.57	APPLY TO DESIGN UNITS. CONVERSIONS ARE ONLY FOR REFERENCE. UNLESS NOTED, TOLERANCES ARE ±																									
46,0	1.81	<table border="1"> <tr> <td>DIM.</td> <td>TOL.</td> <td>DIM.</td> <td>TOL.</td> </tr> <tr> <td>mm</td> <td>mm/in</td> <td>in</td> <td>mm/in</td> </tr> <tr> <td>NO PLACES</td> <td>X</td> <td>1/04</td> <td>X X</td> </tr> <tr> <td>ONE PLACE</td> <td>X X</td> <td>0.47/016</td> <td>X X X</td> </tr> <tr> <td>TWO PLACES</td> <td>X X X</td> <td>0.16/008</td> <td>X X X X</td> </tr> <tr> <td>THREE PLACES</td> <td>X X X X</td> <td>0.13/005</td> <td>X X X X X</td> </tr> </table>		DIM.	TOL.	DIM.	TOL.	mm	mm/in	in	mm/in	NO PLACES	X	1/04	X X	ONE PLACE	X X	0.47/016	X X X	TWO PLACES	X X X	0.16/008	X X X X	THREE PLACES	X X X X	0.13/005	X X X X X
DIM.	TOL.	DIM.	TOL.																								
mm	mm/in	in	mm/in																								
NO PLACES	X	1/04	X X																								
ONE PLACE	X X	0.47/016	X X X																								
TWO PLACES	X X X	0.16/008	X X X X																								
THREE PLACES	X X X X	0.13/005	X X X X X																								
56,0	2.20	SI METRIC <input checked="" type="checkbox"/> US CUSTOMARY <input type="checkbox"/>																									
58,0	2.28	DESIGN UNITS																									
300.0	11.81	WEIGHT 85G (3 OZ) MAX																									

CATALOG LISTING
242PC100 SERIES CHART 1
 PAGE 1 OF 1
 ISSUE 4
 CMH
 27 AUG 07
 RELEASE NO. CO-18465
 REPLACES 242PC100 CHART 1
 REVISIONS
 A 79606
 K D R
 6 FEB 94
 B 200565
 C S L
 8 JUN 00
 C 0033081
 D D N
 27 AUG 07
 CHECK
 KAG
 23 JUN 94
 CHECK
 KAG
 23 JUN 94
 DRAWN
 RASTER
 KDR
 10 JUN 94