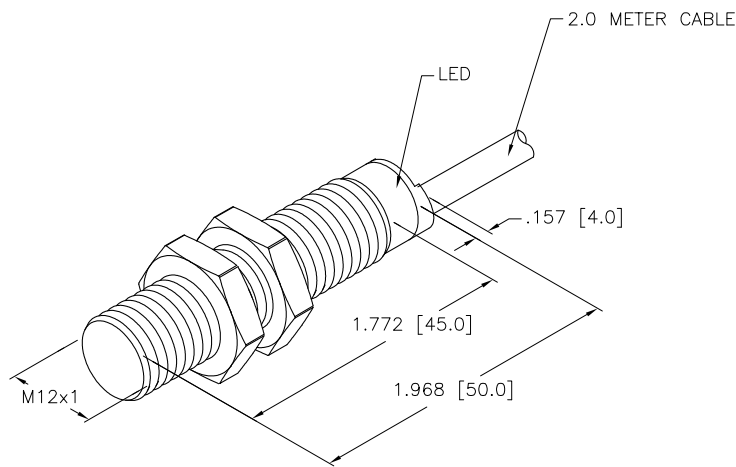


SPECIFICATIONS	
RATED OPERATING DISTANCE	2mm [.079]
MOUNTING MODE	FLUSH
TEMPERATURE DRIFT	≤±10%
HYSTERESIS	3-15%
MIN. REPEAT ACCURACY	≤2%
OPERATING TEMPERATURE	-25°C to +70°C (-13°F to +158°F)
RATED OPERATIONAL VOLTAGE	10-65 VDC
MAX. RIPPLE	≤10%
DC RATED OPERATIONAL CURRENT	≤200 mA
NO-LOAD CURRENT	≤15 mA
RESIDUAL CURRENT	≤0.1 mA
RATED INSULATION VOLTAGE	≤0.5 kV
SHORT-CIRCUIT PROTECTION	YES
MAX. VOLTAGE DROP	≤1.8 V
WIRE BREAKAGE PROTECTION	INCORPORATED
REVERSE POLARITY PROTECTION	INCORPORATED
OUTPUT FUNCTION	NORMALLY CLOSED 2-WIRE DC SELF-CONTAINED
MAX. SWITCHING FREQUENCY	≤2 kHz
HOUSING MATERIAL	BRASS, CHROME PLATED
ACTIVE FACE	PLASTIC, LCP-GF30
END CAP	PLASTIC, EPTR
CABLE	ø5.2, PVC
VIBRATION RESISTANCE	55 Hz (IN ALL 3 PLANES)
SHOCK RESISTANCE	30 g, 11 ms
DEGREE OF PROTECTION	IP 68
SWITCHING STATUS INDICATION	LED, YELLOW



SOURCE DRAWING - FOR REFERENCE ONLY

RELATED DOCUMENTS		3RD ANGLE PROJECTION		THIS DRAWING IS PROPERTY OF TURCK INC. USE OF THIS DOCUMENT WITHOUT WRITTEN PERMISSION IS PROHIBITED.		 High Technology Sensors and Automation Controls		3000 CAMPUS DRIVE MINNEAPOLIS, MN 55441 1-800-544-7769 (763) 553-7300 (763) 553-0708 fax turck.com	
1.			ALL DIMENSIONS DISPLAYED ON THIS DRAWING ARE FOR REFERENCE ONLY	DRFT	RDS	DATE	10/08/09	DESCRIPTION BI 2-M12-RD4X	
2.				DSGN		SCALE	1=1.0		
3.		CONTACT TURCK FOR MORE INFORMATION		UNIT OF MEASUREMENT		IDENTIFICATION NO. T4406551		REV A	
4.				INCH [MILLIMETER]					
MATERIAL		SEE NOTES		DO NOT SCALE THIS DRAWING		FILE: T4406551		SHEET 1 OF 1	
FINISH		SEE NOTES							

A	DRAWING RELEASE	RDS	10/08/09	
REV	DESCRIPTION	BY	DATE	ECO NO.