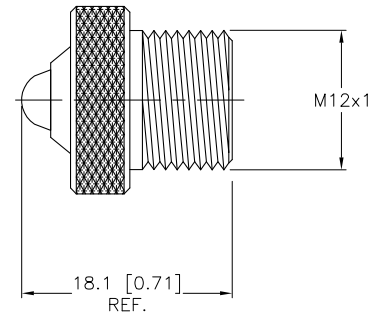
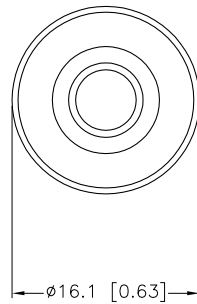

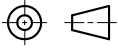


SPECIFICATIONS

CAP MATERIAL/FINISH	NICKEL-PLATED BRASS
HARDWARE MATERIAL	STAINLESS STEEL



SOURCE DRAWING - FOR REFERENCE ONLY

RELATED DOCUMENTS		3RD ANGLE PROJECTION		THIS DRAWING IS PROPERTY OF TURCK INC. USE OF THIS DOCUMENT WITHOUT WRITTEN PERMISSION IS PROHIBITED.		 High Technology Sensors and Automation Controls		3000 CAMPUS DRIVE MINNEAPOLIS, MN 55441 1-800-544-7769 (763) 553-7300 (763) 553-0708 fax turck.com	
1. 2. 3. 4.				DRFT JBJ		DATE 02/10/03		DESCRIPTION	
MATERIAL		ALL DIMENSIONS DISPLAYED ON THIS DRAWING ARE FOR REFERENCE ONLY		DSGN		SCALE 1=.0		RS-MC	
SEE SPECIFICATIONS		CONTACT TURCK FOR MORE INFORMATION		UNIT OF MEASUREMENT		IDENTIFICATION NO.		REV	
SEE SPECIFICATIONS		MILLIMETER [INCH]		DO NOT SCALE THIS DRAWING		U0905-71		B	
B DESCRIPTION CHANGE		JBJ 06/11/03 10544		FILE: EUR\U0905-71		SHEET 1 OF 1			
REV DESCRIPTION		BY DATE ECO NO.							