

MICRO SWITCH

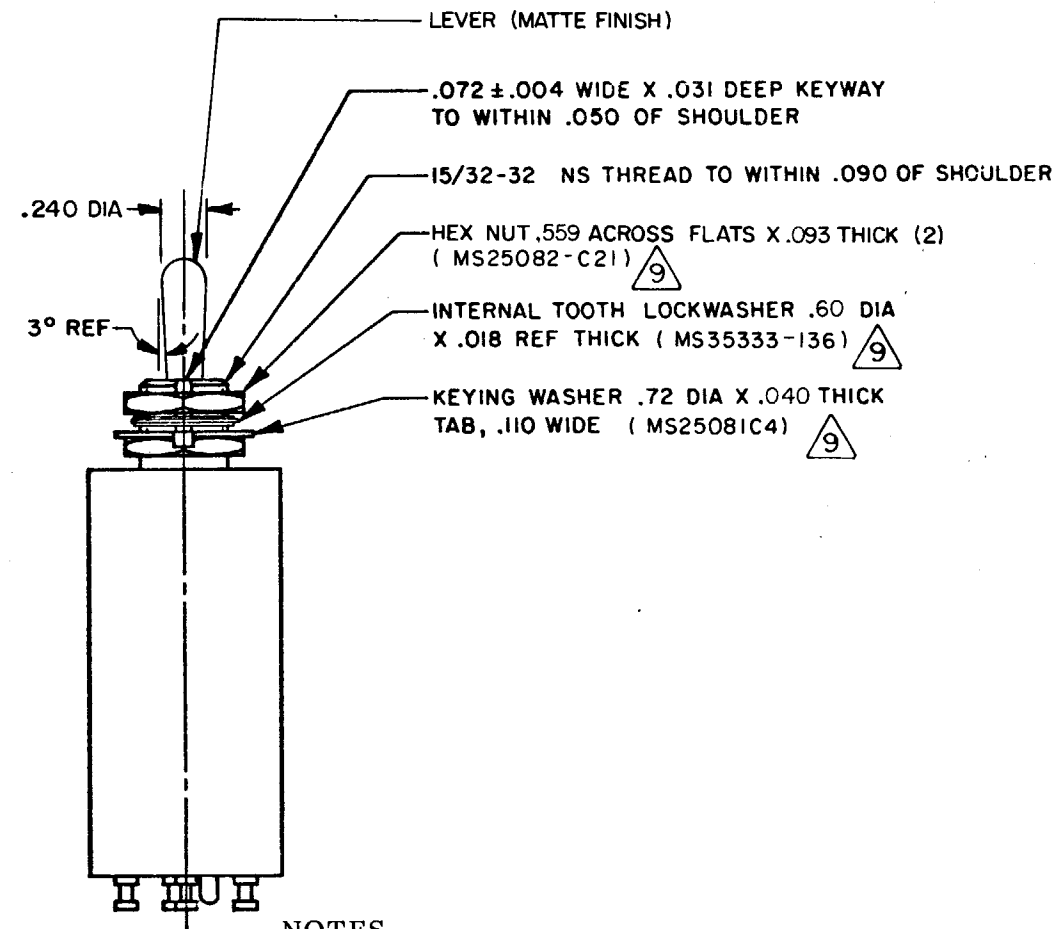
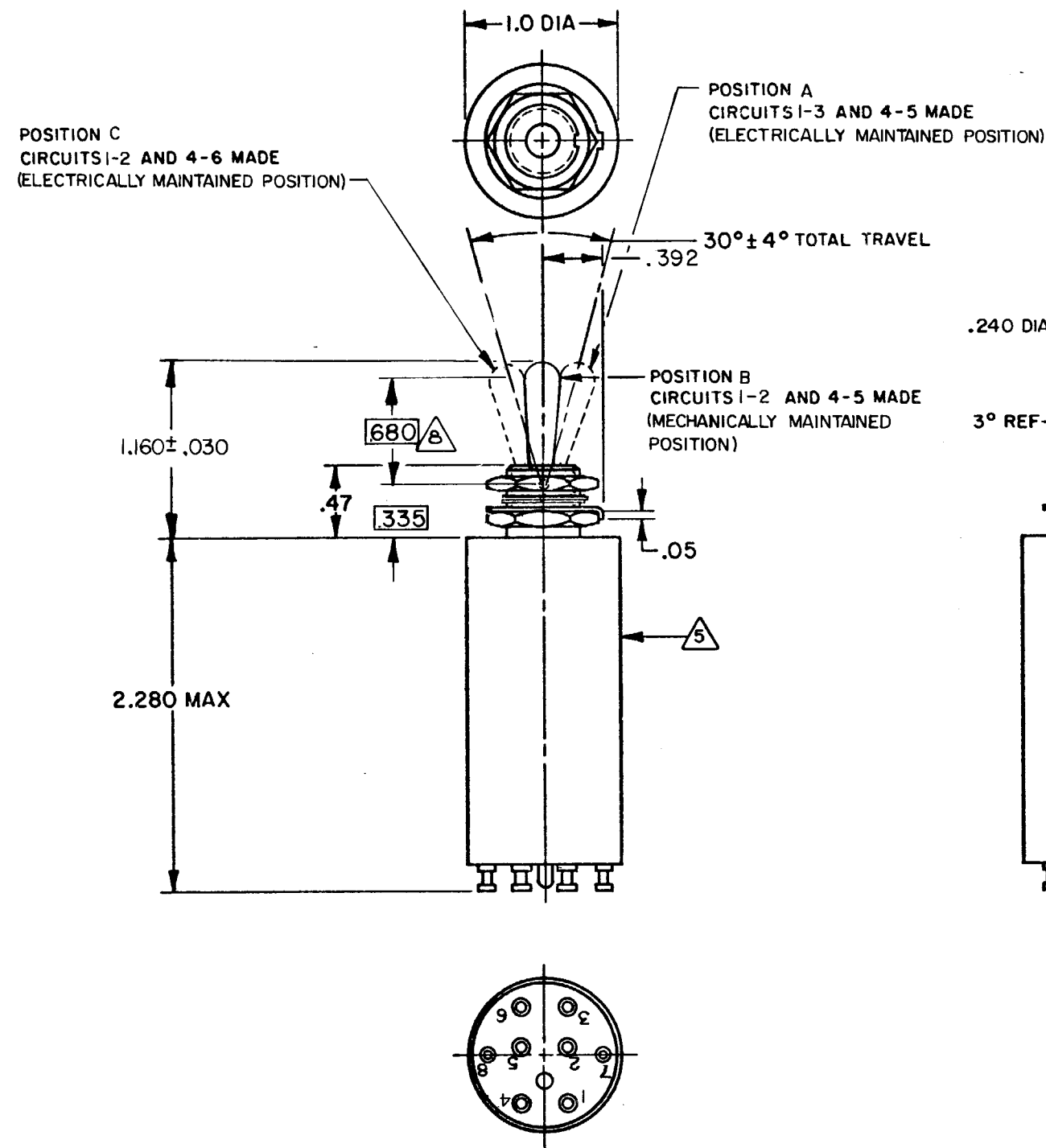
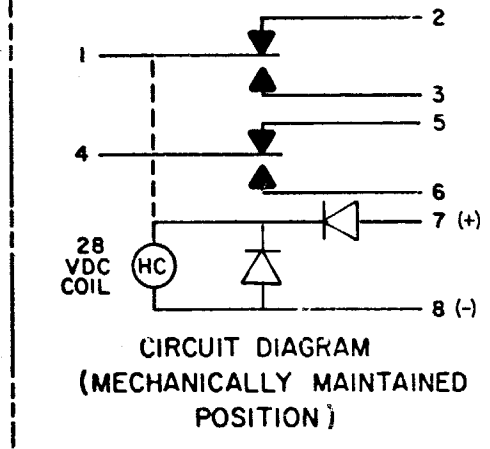
FREEPORT ILLINOIS U S A
A DIVISION OF HONEYWELL

FED. MFG. CODE 91929

**SWITCH-TOGGLE
(MAGNETIC HOLD-IN)**

CATALOG LISTING
27ET109-T

FSCM NO. 76301
ST5M1261-005



- NOTES
- EXPOSED PARTS ARE OF CORROSION RESISTANT MATERIAL OR ARE SUITABLY PROTECTED TO PREVENT CORROSION. ENCLOSURE FINISHED WITH BLUE EPOXY ENAMEL COLOR NO. 25184 PER FEDERAL STANDARD 595
 - SWITCH SEALED PER MIL-S-5594
 - HOLD IN VOLTAGE: THE MINIMUM SPECIFIED VOLTAGE AT WHICH THE LEVER REMAINS ACTUATED. HOLD IN MAY OCCUR AT A LOWER VALUE
DROP OUT VOLTAGE: THE VOLTAGE RANGE IN WHICH THE LEVER WILL BE RELEASED
 - CIRCUITS CAN BE TRANSFERRED MANUALLY. ENERGIZING THE COIL WILL NOT CAUSE TRANSFER OF CIRCUITS
 - CIRCUIT IDENTIFICATION IS SHOWN ON SWITCH
 - WEIGHT OF SWITCH ONLY IS 4.0 OZ. MAX
 - THE DIODES ARE JANTXV TYPE AND LIMIT THE EMI: SPIKES (TRANSIENTS OF DURATION LESS THAN 500 MICRO SECONDS) GENERATED BY THE SWITCH COIL SHALL NOT EXCEED +42 VOLTS OR -14 VOLTS
 - FORCE TO BE APPLIED AT THIS POINT IN A DIRECTION PERPENDICULAR TO THE LEVER LONGITUDINAL AXIS
 - HARDWARE MAY BE FURNISHED UNASSEMBLED PER MIL-S-5594

27ET109-T

REPLACES

RELEASE NO. PR-6932

DRAWING NUMBER

ISSUE

REVISIONS

A PR6932 SLB 6 FEB 78

B CO44295 GAS 22 MAY 78

C CO 44768 GAS 19 AUG 78

D CO 44905 TRF 27 OCT 78

E CO45132 DJW 19 DEC 78

F CO 47358 G J W 3 MAR 80

G CO49806 DJW 24 SEPT 81

H CO 53353 WJM 7 JUN 83

FO-92861-A

DRAWN

28 SEPT 77 CHECK

29 SEP 77 CHECK

29 SEP 77 CHECK

29 SEP 77 CHECK

29 SEP 77 CHECK

29 SEP 77 CHECK

THIS DRAWING COVERS A PROPRIETARY ITEM AND IS THE PROPERTY OF MICRO SWITCH, A DIVISION OF HONEYWELL. THIS DRAWING IS NOT TO BE COPIED OR USED WITHOUT THE APPROVAL OF MICRO SWITCH.

THIRD ANGLE PROJECTION

SCALE FULL

DO NOT SCALE PRINT

CHARACTERISTICS	ELECTRICAL DATA		TOLERANCES	
	CONTACT ARRANGEMENT SPDT (2)		APPLY TO DESIGN UNITS. CONVERSIONS ARE ONLY FOR REFERENCE. UNLESS NOTED. TOLERANCES ARE ±	
SOLENOID RATING AT 20°C STEADY STATE LIMITS — 20- 30 VDC HOLD IN — 15 VDC DROP OUT — 1.5-15 VDC COIL RESISTANCE — 220 OHM MIN OPERATING FORCE — 7 LB MAX ⑧ — 1.25 LB MIN OVERRIDE FORCE AT 30 VDC — 10 LB MAX ⑧ — 2.5 LB MIN	RATING IN AMPERES		DIM. mm	TOL. mm/in
	VOLTAGE	SEA LEVEL	65,000 FT	NO PLACES X ONE PLACE X,X TWO PLACES X,XX THREE PLACES X,XXX
28 VOLTS DC		RES IND MOTOR	RES IND MOTOR	

DESIGN UNITS		US CUSTOMARY	
SI METRIC	US CUSTOMARY	SI METRIC	US CUSTOMARY
<input type="checkbox"/>	<input checked="" type="checkbox"/>	RAW MATERIAL—COMMERCIAL STANDARD MICRO SWITCH STANDARDS APPLY	
		DIMENSIONS ARE TO BE MET BEFORE PROTECTIVE COATINGS ARE APPLIED	
		WEIGHT ⑥	