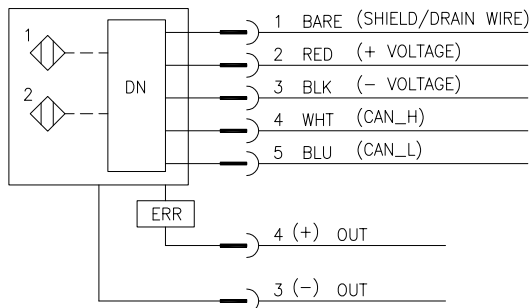
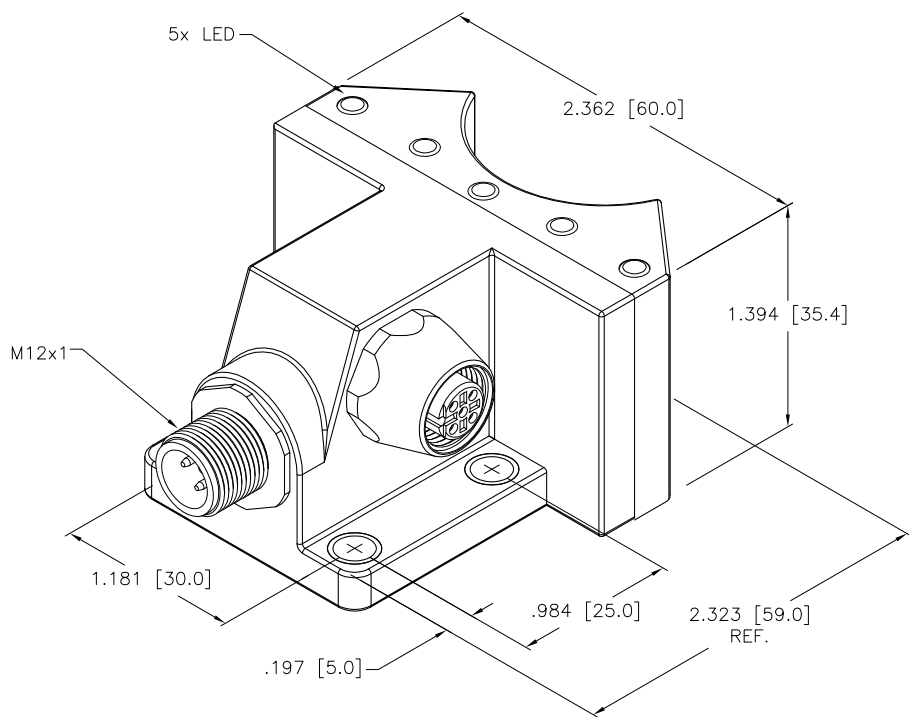


WIRING DIAGRAM



SHORT-CIRCUIT AND OVERLOAD PROTECTED



SPECIFICATIONS

RATED OPERATING DISTANCE S_n	4.0 mm
MOUNTING MODE	NON-FLUSH
HYSTERESIS	3-15%
MAX. RELATIVE TEMPERATURE DRIFT	$\leq 10\%$
MIN. REPEAT ACCURACY	$\leq 2\%$
TEMPERATURE DRIFT	$\leq \pm 10\%$
OPERATION TEMPERATURE	-25° TO 70°C (-13° TO 158°F)
RATED OPERATIONAL VOLTAGE (DC) U_B	11-25 VDC
NO-LOAD CURRENT	≤ 60 mA
MAX. SWITCHING FREQUENCY	≤ 0.05 kHz
RATED INSULATION VOLTAGE	≤ 0.5 kV
OUTPUT FUNCTION	5-WIRE, NORMALLY OPEN, DEVICENET
ADDRESS (MacID)	0-60, via EDS FILE
BAUD RATE	via EDS Datei
INPUT DATA DEVICENET	BIT 0 S01 INPUT/BIT 1 S02 INPUT/ BIT 2 OUTPUT ERROR/BIT 7 INPUT ERROR BIT 3-BIT 6, NOT USED
OUTPUT DATA DEVICENET	BIT 0, VALVE OUTPUT BIT 3-BIT 7, NOT USED
OUTPUT VOLTAGE U_{OUT}	$U_B - 3$ V, PNP
OUTPUT CURRENT ROTARY ACTUATOR I_{OUT}	≤ 80 mA, GROUNDING NOT ALLOWED
SHORT-CIRCUIT PROTECTION/WATCHDOG	YES/NO
WIRE BREAKAGE PROTECTION I_{OUT}	≤ 0.1 mA
HOUSING MATERIAL	PLASTIC, PP-GF30
ACTIVE FACE	PLASTIC, PP-GF30
DEGREE OF PROTECTION	IP 67
VIBRATION RESISTANCE	55 Hz (1mm)
SHOCK RESISTANCE	30 x g (11 ms)

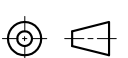
LED EXPLANATION

LED	COLOR	STATE	STATUS
S01	YELLOW	ON	TARGET DETECTED
S02	YELLOW	ON	TARGET DETECTED
OUT	YELLOW	OFF	OUTPUT OFF
		ON	OUTPUT ON
ERR	RED	ON	OUTPUT ON/OFF: WIREBREAK DETECTED
		OFF	SENSOR NOT POWERED
STATUS	RED/GRN	GRN-ON STEADY	SENSOR ACTIVE & ALLOCATED BY A MASTER
		GRN-FLASHING	SENSOR ACTIVE BUT NOT ALLOCATED BY A MASTER
		RED-FLASHING	RECOVERABLE FAULT (OPEN OUTPUT, INVALID INPUT STATE, LOW BUS VOLTAGE, I/O TIMEOUT)
		RED-ON STEADY	MAJOR FAULT (DUPLICATE ADDRESS, BAUD RATE, BUS OFF COMM.)
		GRN+RED ON	AUTOBAUD DETECT
		GRN+RED FLASHING	POWER-UP TEST

RELATED DOCUMENTS

- 1.
- 2.
- 3.
- 4.

3RD ANGLE PROJECTION



THIS DRAWING IS PROPERTY OF TURCK INC. USE OF THIS DOCUMENT WITHOUT WRITTEN PERMISSION IS PROHIBITED.



3000 CAMPUS DRIVE
MINNEAPOLIS, MN 55441
1-800-544-7769
(763) 553-7300
(763) 553-0708 fax
turck.com

MATERIAL
PLASTIC; PP-GF30

FINISH

ALL DIMENSIONS DISPLAYED ON THIS DRAWING ARE FOR REFERENCE ONLY

CONTACT TURCK FOR MORE INFORMATION

DRFT RDS DATE 04/19/04
DSGN SCALE 1=1.0

UNIT OF MEASUREMENT
INCH [MILLIMETER]

DO NOT SCALE THIS DRAWING

DESCRIPTION
NI 4-DSU35-2DNETX5-H1150

IDENTIFICATION NO. M1569908
REV A

A	DRAWING RELEASE	RDS	04/19/04	
REV	DESCRIPTION	BY	DATE	ECO NO.