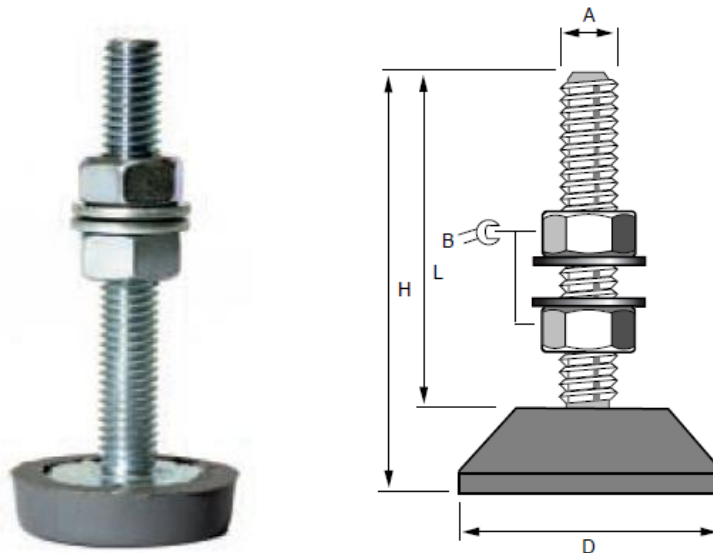




## Light equipment mount – M8 x 1.25 mm

RS Stock number 423-6607



Max. load per mount daN (kg)	D	H	L	A	B
	mm	mm	mm	mm	mm
60	46	65	57	M8	13

### Application areas

- **Light engineering machinery**
- **Compressors**
- **Office equipment**
- **Domestic appliances**

These RS light equipment mounts are designed to be used with lighter equipment such as wood processing machines, compactors, light industrial machinery, office equipment and domestic appliances. This mount consists of levelling bolts with a vulcanised levelling foot. This means the product can be installed on most surfaces. They can also be fitted in internal and external holes in the machine frame chassis.