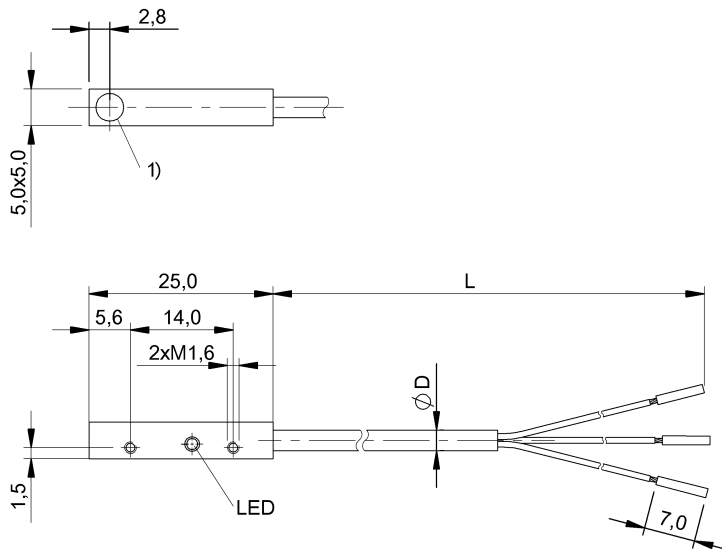


BES 516-3042-I02-C-PU-05 BES01A2



IND. CONT. EQ
81U2
US for use in the secondary of
a class 2 source of supply
Environmental - Type 1 Enclosure



Display/Operation

Function indicator	yes
Power indicator	no

Electrical connection

Cable diameter D	3.00 mm
Cable length	5 m
Conductor cross-section	0.14 mm ²
Connection type	Cable, 5.00 m, PUR
Number of conductors	3
Polarity reversal protected	yes
Short-circuit protection	yes

Electrical data

Hysteresis H max. (% of Sr)	15.0 %
Load capacitance max. at Ue	0.2 µF
MTTF (40 °C)	830 a
No-load current I _o max., undamped	10 mA
Operating voltage U _b	10...30 VDC
Output resistance R _a	Open collector
Pollution degree	3
Protected against miswiring	yes
Rated insulation voltage U _i	75 V DC
Rated operating current I _e DC	100 mA
Rated operating voltage U _e DC	24 V
Rated short circuit current	100 A
Ready delay t _v max.	15 ms
Repeat accuracy max. (% of Sr)	5.0 %
Residual current I _r max.	10 µA
Switching frequency	3000 Hz
Utilization category	DC -13
Voltage drop static max.	2.5 V

Environmental conditions

Ambient temperature	-25...70 °C
Protection type IEC 60529	IP67

Functional safety

Diagnostic coverage	0 %
Functional safety	no
Mission Time	20 a

General data

Approval/Conformity	cULus CE EAC
Basic standard	IEC 60947-5-2

Material

Housing material	Aluminum
Housing material, surface protection	anodized
Material jacket	PUR
Material sensing surface	PBT

Mechanical data

Dimension	25 x 5 x 5 mm
Installation	for flush mounting

Output/Interface

Switching output	PNP Normally closed (NC)
------------------	--------------------------

BES 516-3042-I02-C-PU-05 BES01A2

Range/Distance

Assured operating distance Sa	0.65 mm
Range	0.8 mm
Rated operating distance Sn	0.8 mm
Ripple max. (% of Ue)	10 %
Temperature drift max. (% of Sr)	20 %

Remarks

ESD requirements met if housing is grounded.
The sensor is functional again after the overload has been eliminated.

For further information on MTTF/B10d, please refer to the MTTF / B10d Certificate.

Specification of the MTTF value and the B10d value do not represent any binding quality and/or life expectancy guarantees.

Wiring Diagram

