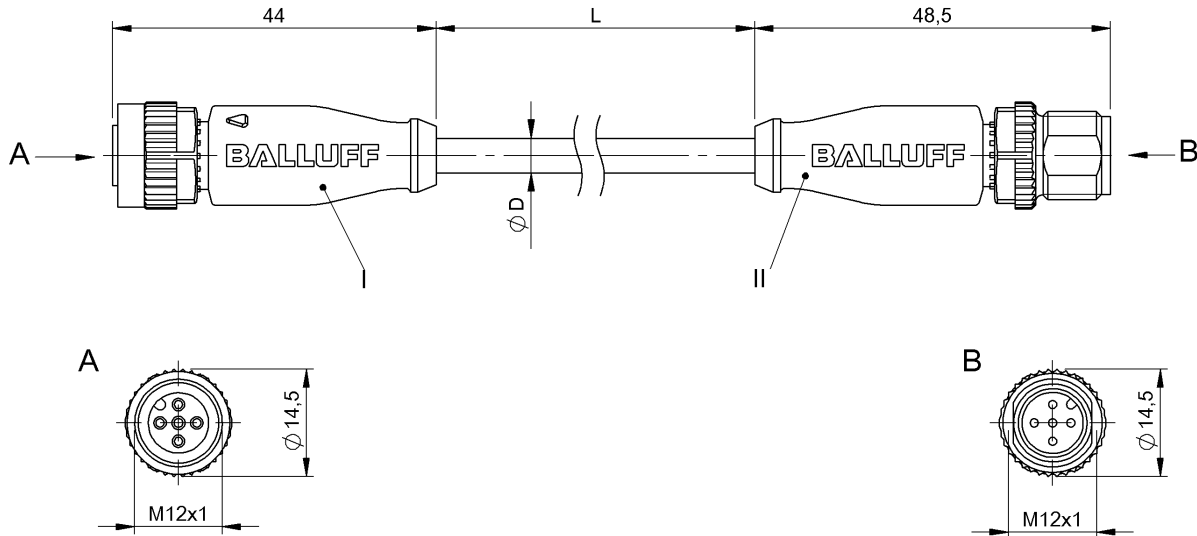


BCC M415-M415-3A-313-EX45T2-060  
BCC08AA



4MT5  
(CJ/V CABLE ASSEMBLY)

## Electrical connection

Bending radius min., fixed cable	5 x D
Bending radius min., flexible cable	10 x D
Cable	TPE yellow, 6.00 m, Drag chain compatible
Cable diameter D	5.60 mm ±0.13 mm
Cable, bending cycles min.	10 million
Conductor cross-section	AWG 22
Number of conductors	5
Number of pins	5/5
System	Molded/Molded

## Electrical data

Cable rated voltage AC max.	300.0 V
Cable rated voltage DC max.	300.0 V
Rated current (40 °C)	4.0 A

## Environmental conditions

Cable temperature, fixed routing	-50...105 °C
Cable temperature, flexible routing	-25...105 °C

Protection type IEC 60529

IP68 /IP68

## General data

Approval/Conformity	cULus LISTED
---------------------	--------------

## Material

Material contact carrier	PUR/PUR
Material contacts	Bronze/Brass
Material cover nut	Die-cast zinc/Die-cast zinc
Material grip	TPU/TPU

## Mechanical data

Tightening torque pigtail	0.6 Nm/0.6 Nm
---------------------------	---------------

## Remarks

Enclosure rating per IEC 60529, only in screwed state with the associated mating piece.  
Cable construction acc. to UL-AWM Style 2037  
Flame resistance per IEC 60332-1-2

BCC M415-M415-3A-313-EX45T2-060  
BCC08AA

## Connector view



## Wiring Diagram

