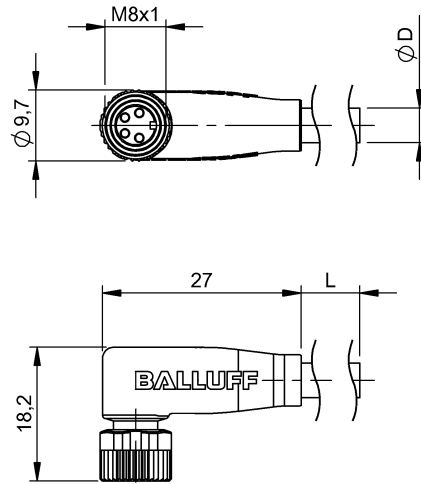


BCC M324-0000-10-003-PW0434-050  
BCC0AJW



4MT5  
(CJ/JV CABLE ASSEMBLY)

## Electrical connection

Bending radius min., fixed cable	5 x D
Bending radius min., flexible cable	10 x D
Cable	PUR black, 5.00 m, Drag chain compatiblewelding spark resistant
Cable diameter D	4.30 mm ±0.10 mm
Cable, bending cycles min.	5 million
Cable, torsion stress	±360°/m
Conductor cross-section	0.34 mm <sup>2</sup>
Number of conductors	4
Number of pins	4
System	Molded

## Electrical data

Horizontal travel permitted, drag chain	5 m
Rated current (40 °C)	4.0 A
Vertical travel permitted, drag chain	2 m

## Environmental conditions

Cable temperatur, drag chain	-25...60 °C
Cable temperature, fixed routing	-50...90 °C
Cable temperature, flexible routing	-25...90 °C
Protection type IEC 60529	IP67

## Functional safety

Cable temperature UL max., fixed routing	80 °C
--	-------

Cable temperature UL max., flexible routing 80 °C

## General data

Application	Welding area
Approval/Conformity	cULus LISTED

## Material

Material contact carrier	PUR
Material contacts	Bronze
Material cover nut	Die-cast zinc
Material grip	PUR

## Mechanical data

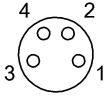
Acceleration max., drag chain	5 m/s <sup>2</sup>
Tightening torque pigtail	0.4 Nm
Traverse speed max., drag chain	200 m/min

## Remarks

Enclosure rating per IEC 60529, only in screwed state with the associated mating piece.  
Cable construction acc. to UL-AWM Style 20549  
Halogen-free per DIN VDE 0472 Part 815  
Silicone-free  
Flame resistance per UL FT2

BCC M324-0000-10-003-PW0434-050  
BCC0AJW

## Connector view



PIN 1: brown PIN 2: white PIN 3: blue PIN 4: black

## Wiring Diagram

