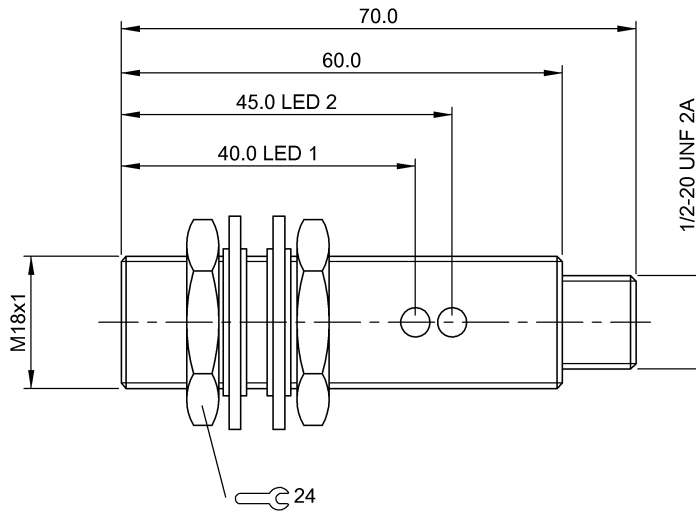


BES M18MN-USU80B-S21G BES02ZE



Display/Operation

Function indicator	yes
Power indicator	yes

Electrical connection

Connection	1/2"-20 UNF-2A-Connector
Polarity reversal protected	yes
Short-circuit protection	yes

Electrical data

Hysteresis H max. (% of Sr)	15.0 %
Operating voltage Ub	20...300 VDC/20...250 VAC
Pollution degree	3
Protected against miswiring	no
Rated insulation voltage Ui	250 V AC
Rated operating current Ie DC	200 mA
Rated operating voltage Ue AC	110 V
Residual current Ir max.	800 µA
Switching frequency	30 Hz
Utilization category	AC-140 DC -13
Voltage drop static max.	8 V

Environmental conditions

Ambient temperature	-25...70 °C
Protection type IEC 60529	IP67

General data

Approval/Conformity	cULus CE EAC
Basic standard	IEC 60947-5-2

Material

Housing material	Brass
Material sensing surface	PBT
Surface protection	nickel plates

Mechanical data

Dimension	Ø 18 x 70 mm
Installation	for flush mounting
Size	M18x1
Tightening torque	30 Nm

Range/Distance

Assured operating distance Sa	6.4 mm
Range	8 mm
Rated operating distance Sn	8 mm
Switching distance marking	■ ■

Remarks

LED 1: Function
LED 2: Operating voltage

BES M18MN-USU80B-S21G
BES02ZE

Connector view



Wiring Diagram

