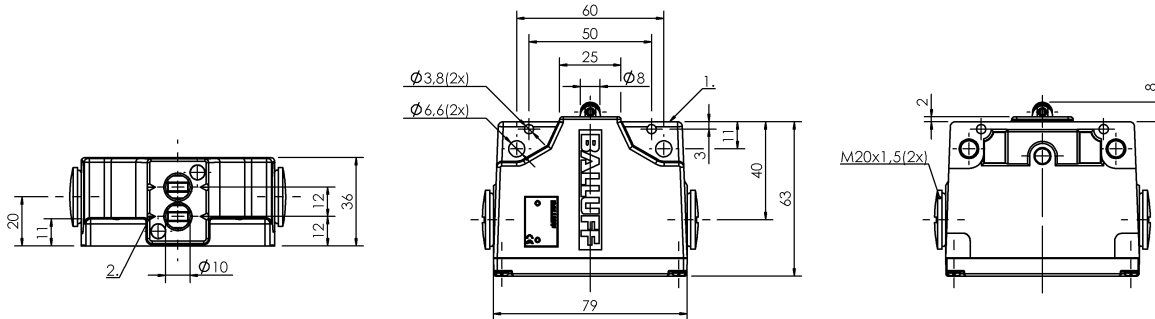


BNS 813-B02-L12-61-A-12-02 BNS02FF



1) Reference edge 2) Mark. Safety switch position



Display/Operation

Function indicator 1-2. Switch position: None

Electrical connection

Connection type 1-2. Switch position: Screw terminal

Electrical data

Continuous current 1-2. Switch position: 6 A
 Rated operating voltage U_e 1-2. Switch position: 250 VAC
 Switching function mechanical NC forced-opening per VDE Double-interrupting
 Switching rate 1-2. Switch position: 300/min

Environmental conditions

Ambient temperature -5...85 °C
 Protection type IEC 60529 IP67

Functional safety

B10d BSE 61: 30 mil. switching cycles
 Diagnostic coverage 0.0 %
 Functional safety no
 Mission Time 20 a

General data

Approval/Conformity CE
 CCC
 Basic standard IEC 60947-5-1

Internet www.balluff.com
 Balluff Germany +49 (0) 7158 173-0, 173-370
 Balluff USA 1-800-543-8390
 Balluff China +86 (0) 21-50 644131

Operating principle

1-2. Switch position: mechanical

Version

Safety EN 60204-1

Material

Housing material Aluminum
 Material contacts 1-2. Switch position: Fine silver
 Plunger material 1-2. Switch position: Stainless steel (1.4034)
 Surface protection anodized

Mechanical data

Approach direction longitudinal, parallel to attachment surface
 Approach speed 1-2. Switch position: 120 m/min
 Dimension 79 x 36 x 63 mm
 Distance cam - reference edge 1-2. Switch position: 4.50... 5.00 mm
 Flange, feed-through None
 Installation Vertical
 Life expectancy mechanical 1-2. Switch position: 30 mil. switching operations
 Number of switching positions 2x Roller bearing
 Plunger spacing 1st switch position 12 mm
 Plunger style 1-2. Switch position: Roller bearing
 Switch actuation force 1-2. Switch position: 15 N
 Switching element 1-2. Switch position: BSE 61

Range/Distance

Reproducibility 1-2. Switch position: ±0.01 mm
 Switch position spacing 12 mm

For definitions of terms, see main catalog eCI@ss 9.1: 27-27-06-02 1(2)
 Subject to change without notice ETIM 6.0: EC001829
 BNS02FF_09-03-17_21:56

BNS 813-B02-L12-61-A-12-02 BNS02FF

Specification of the MTTF value and the B10d value do not represent any binding quality and/or life expectancy guarantees.

Note that the products listed here are not themselves safety components

according to the Machine Directive 2006/42/EG Article 2 c. It is however possible to create corresponding structures with a high Performance Level per EN 13849-1 by means of two-channel utilization.

Wiring Diagram

BSE 61

