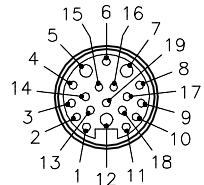


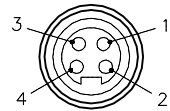
MALE END VIEW (P1)



- 1 = PORT 1-1
- 2 = PORT 1-2
- 3 = PORT 2-1
- 4 = PORT 2-2
- 5 = SHIELD
- 6 = PORT 3-1
- 7 = N/C
- 8 = PORT 3-2
- 9 = PORT 4-1
- 10 = PORT 4-2
- 11 = PORT 5-1
- 12 = GROUND
- 13 = PORT 5-2
- 14 = PORT 6-1
- 15 = PORT 6-2
- 16 = PORT 7-1
- 17 = PORT 7-2
- 18 = PORT 8-1
- 19 = PORT 8-2



FEMALE END VIEW (J1-J8)

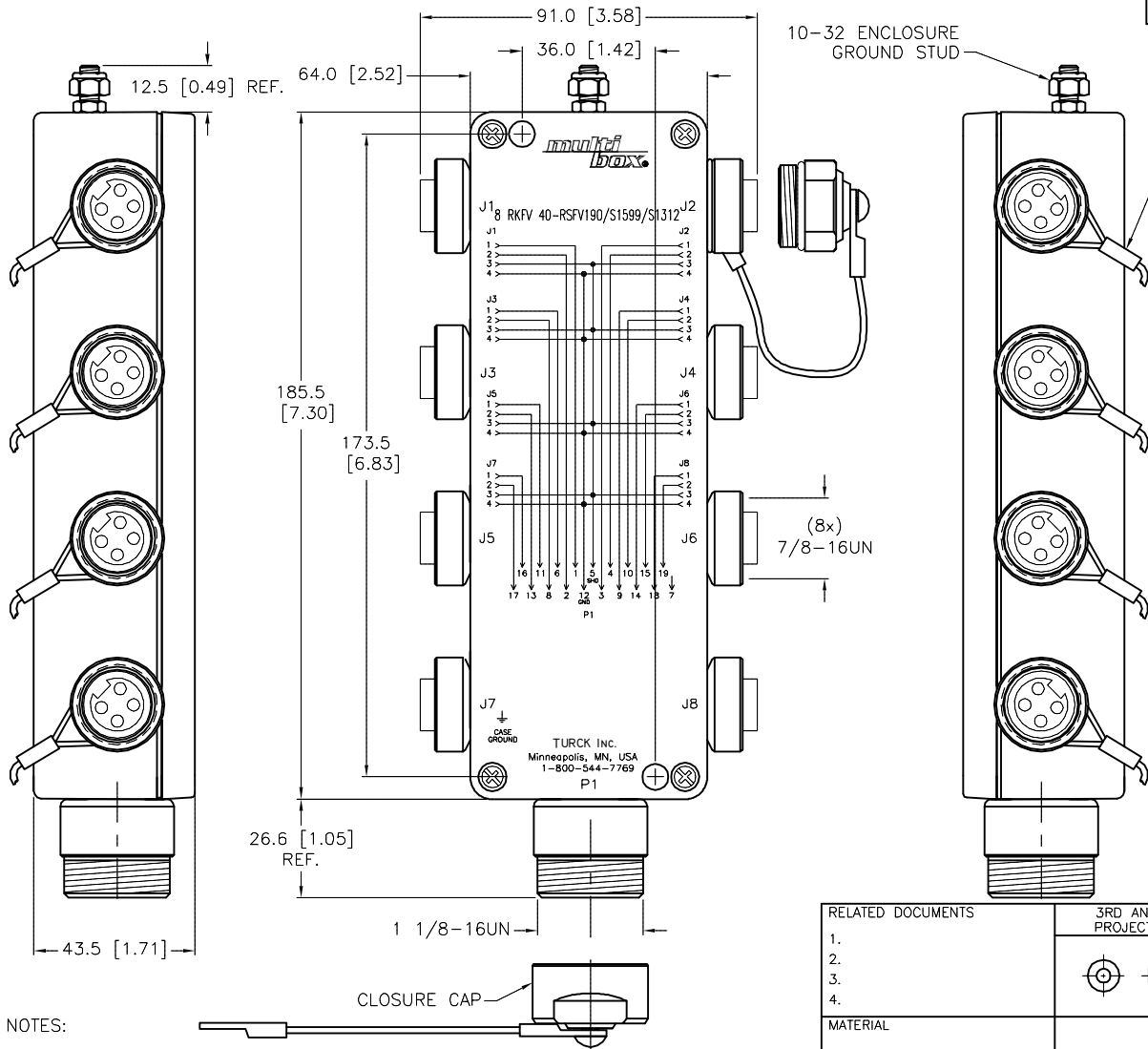


- 1 = V-
- 2 = V+
- 3 = DRAIN/SHIELD
- 4 = GROUND



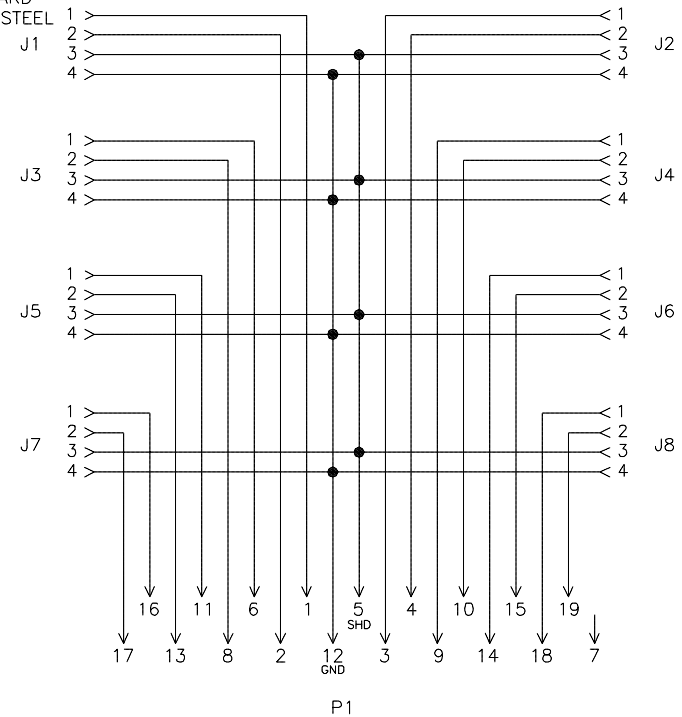
SPECIFICATIONS

HOUSING MATERIAL	DIE-CAST ALUMINUM ALLOY
HOUSING FINISH/COLOR	POWDER COAT/BLACK
RECEPT. HOUSING MATERIAL/FINISH	STAINLESS STEEL/PASSIVATED
CONTACT CARRIERS/COLOR	TPU/BLACK (J1-J8), YELLOW (P1)
CONTACT MATERIAL/PLATING	BRASS/GOLD
OPERATING VOLTAGE	250 VAC/300 VDC
OPERATING CURRENT	2.0 AMPS PER PORT, 8.0 AMPS TOTAL
PROTECTION CLASS to DIN 40050	IP 67 - ONLY WHEN ALL RECEPTACLES ARE COVERED WITH PLUGS OR CONNECTED
OPERATING TEMPERATURE	-40°C to +105°C (-40°F to +221°F)



CLOSURE CAP
6 IN. LANYARD
STAINLESS STEEL
(8x)

WIRING DIAGRAM



SOURCE DRAWING - FOR REFERENCE ONLY

NOTES:

1. "/S1599" DESIGNATES ATTACHED MATING CLOSURE CAPS.
2. "/S1312" DESIGNATES CUSTOM WIRING AND RECEPTACLE STYLE CLOSURE CAP FOR HOMERUN CONNECTOR.

A	DRAWING RELEASE	RDS	01/09/15
REV	DESCRIPTION	BY	DATE

RELATED DOCUMENTS	3RD ANGLE PROJECTION	THIS DRAWING IS CONFIDENTIAL AND THE PROPERTY OF TURCK INC. USE OF THIS DOCUMENT WITHOUT WRITTEN PERMISSION IS PROHIBITED.		3000 CAMPUS DRIVE MINNEAPOLIS, MN 55441 1-800-544-7769 (763) 553-7300 (763) 553-0708 fax turck.com	
1.		DRFT	KMY	DATE	10/20/14
2.		APVD	C.K.	SCALE	1=2.0
3.	ALL DIMENSIONS DISPLAYED ON THIS DRAWING ARE FOR REFERENCE ONLY	UNIT OF MEASUREMENT		DESCRIPTION	
4.		MILLIMETER [INCH]		8 RKFV 40-RSFV190/S1599/S1312	
MATERIAL	CONTACT TURCK FOR MORE INFORMATION	IDENTIFICATION NO.		REV	
SEE SPECIFICATIONS		U2-24239		A	
FINISH	DO NOT SCALE THIS DRAWING	FILE: U2-24239		SHEET 1 OF 1	
SEE SPECIFICATIONS					