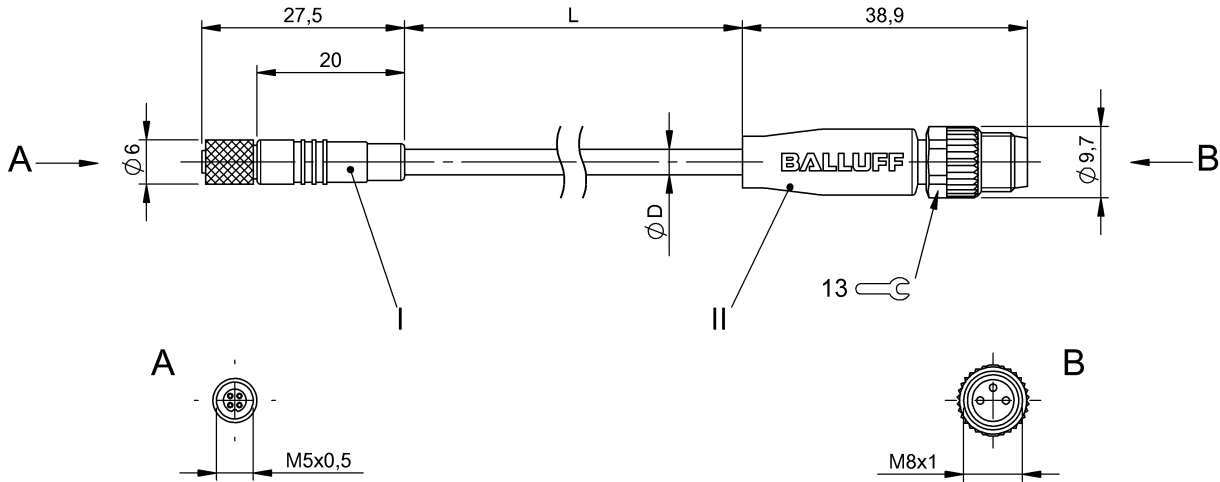


BCC M214-M313-30-300-PX0314-010
BCC0HET



Electrical connection

Cable	PUR black, 1.00 m
Cable diameter D	3.10 mm ±0.10 mm
Conductor cross-section	0.14 mm ²
Number of conductors	3
Number of pins	4/3
System	Molded/Molded

Electrical data

Rated current (40 °C)	1.0 A
-----------------------	-------

Environmental conditions

Cable temperature, fixed routing	-25...80 °C
Cable temperature, flexible routing	-5...80 °C

Protection type IEC 60529

IP67 /IP67

Material

Material contact carrier	PUR/PUR
Material contacts	Bronze/Brass
Material cover nut	Brass/Die-cast zinc
Material grip	PUR/PUR

Mechanical data

Tightening torque pigtail	-/0.4 Nm
---------------------------	----------

Remarks

Enclosure rating per IEC 60529, only in screwed state with the associated mating piece.

Connector view



I PIN 1: brown PIN 3: blue PIN 4: black

II PIN 1: brown PIN 3: blue PIN 4: black

BCC M214-M313-30-300-PX0314-010
BCC0HET

Wiring Diagram

