



Part Number
Key Word



Site Search

TOP

NEWS RELEASE

CONNECTOR SEARCH

CATALOG


SAMPLE

STOCK CHECK

[TOP](#) > [FI-RC3-1B-1E-15000](#)

Product List

Product Name	FI-RC3-1B-1E-15000
Series Name	FI-R Series
Contact spacing (mm)	-
Number of Contacts	-
Connector type	Contacts
PCB mounting method	-
SMT flag	FALSE
Wire termination method	Crimp
Applicable wire	Discrete wire
Applicable wire insulation diameter	0.27 to 0.75
Remarks on applicable wire	AWG #36 to #30
Material of contact	Copper alloy

Finish of contact in connecting area	Gold over Nickel
Finish of contact in terminal area	Tin
Finish of contact in PCB mounting area	
Shell Material / Finish	
PCB side connector styles	
PCB mounted height (mm)	
Operating temperature range	-40 to +80
Current rating (Amps)	0.8
Withstanding voltage (VACr.m.s. (1 minute))	
Insulation resistance (megohms min.)	
Contact resistance (milliohms max.)	40
Applicable contacts	
Use with accessories	
Applicable product part numbers	FI-RE*HL, FI-R*H
Remarks	Magazine assembly (15000 pieces/reel)
Related Documents	 116Kbytes
Pair	

Notice:

- The values specified in this web site are only for reference. The products and their specifications are subject to change without notice. Contact our sales staff for further information before considering or ordering any of our products.
For purchase, a product specification must be agreed upon.

2. Users are requested to provide protection circuits and redundancy circuits to ensure safety of the equipment, and sufficiently review the suitability of JAE's products to the equipment.
3. The products presented in this web site are designed for the uses recommended below. We strongly suggest you contact our sales staff when considering use of any of the products in any other way than the recommended applications or for a specific use that requires an extremely high reliability.

(1) Applications that require consultation:

- (i) Please contact us if you are considering use involving a quality assurance program that you specify or that is peculiar to the industry, such as:
Automotive electrical components, train control, telecommunications devices (mainline), traffic light control, electric power, combustion control, fire prevention or security systems, disaster evention equipment, etc.
- (ii) We may separately give you our support with a quality assurance program that
you specify, when you think of a use such as :

Aviation or space equipment, submarine repeaters, nuclear power control systems, medical equipment for life support, etc.

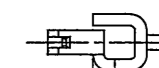
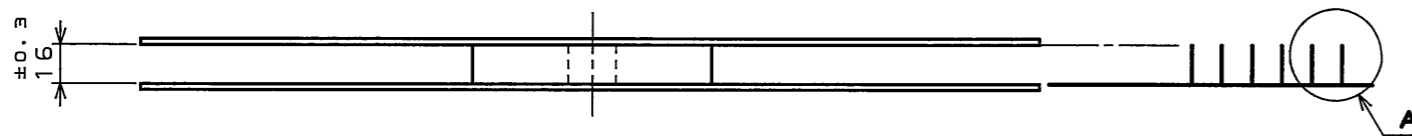
(2) Recommended applications include:

Computers, office appliances, telecommunications devices (terminals, mobile units), measuring equipment, audiovisual equipment, home electric appliances, factory automation equipment, etc

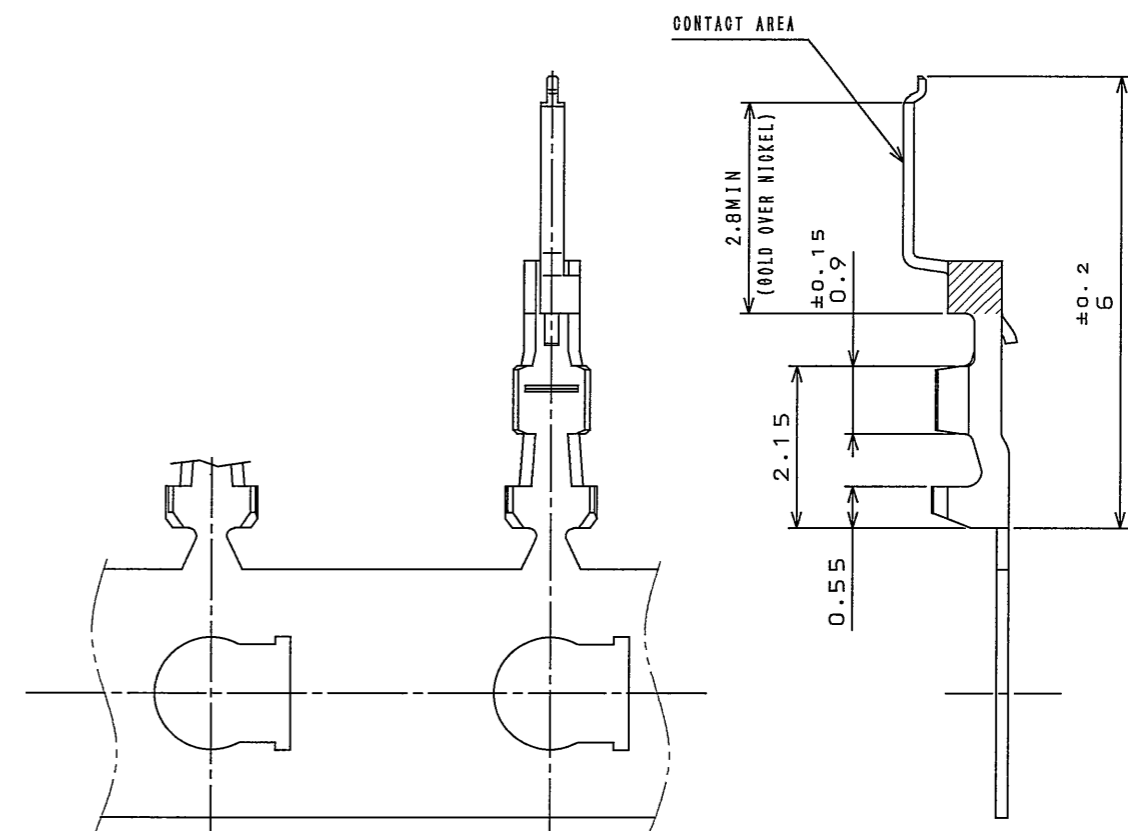
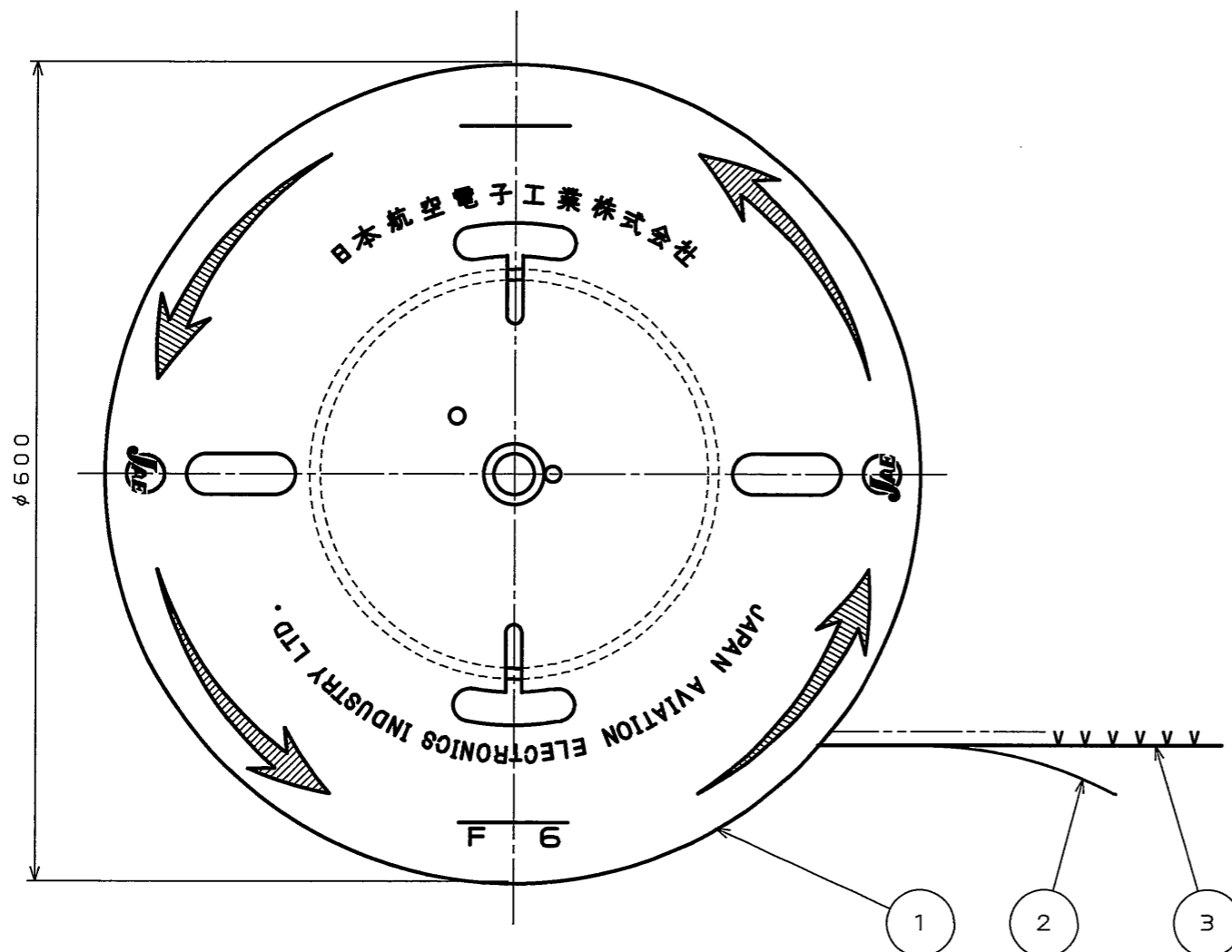
L90E01RS

('ON ΘNIMVHD) 台標理図

版数 REV.	年月日 DATE	DCN NO.	変更内容 DESCRIPTION	製図 DR.	担当 CHK.	査閲 APPD.	承認 APPD.



EXCLUDING CRIMP POT
クリンプポット部は除く



DETAIL A
A部詳細図
(SCALE 10:1)
(尺度 10:1)

3	CONTACT コンタクト	15000	PHOSPHOR BRONZE リン青銅	CONTACT AREA : GOLD(0.1μm MIN) OVER NICKEL NI上Auメッキ(0.1μm以上)	CRIMP AREA:TIN PLATING Snメッキ
2	PAPER TAPE 紙リール	1	PAPER		
1	MAGAZINE マガジン	1	PAPER		
符号 NO.	名称 DESCRIPTION	個数 QTY.	材 料 MATERIAL	仕 上 FINISH	備 考 REMARKS
仕様書 (SPECIFICATION)		第1版 (ORIGINAL DATE) 14.Mar.2005	尺 度 (SCALE)	シ リ ー ズ (SERIES) FI-R	日本航空電子工業株式会社 JAPAN AVIATION ELECTRONICS INDUSTRY, LTD.
公差 (GENERAL TOLERANCE)		製 図 DR.	名 称 (TITLE) FI-RC3-1B-1E -15000 MAGAZINE ASSEMBLY		図面番号 (DRAWING NO.) SJ103061
寸法 (DIMENSION)		担 当 CHK. K.HISAMATSU	質 量 (MASS)		
角 度 (ANGLES)		査 閲 APPD. M. Suzuki			
. ±0.8 X° ±		承 認 APPD. K. Hisamatsu			
.X ±0.4 X° ±					
.XX ±0.1					
.XXX ±					

NOTE1. APPLICABLE WIRE: #30~#36 AWG. STANDERD.
2. INSULATION OUTER DIA. φ0.75~0.27mm
3. USE THE APPLICATOR MADE BY JAE.

注1. 使用電線は、AWG#30~#36の燃線とする。
2. 被覆外径はφ0.75~0.27mmとする。
3. アプリーケータはJAEオリジナルを使用とする。

DOF-0-212E(03.08)

