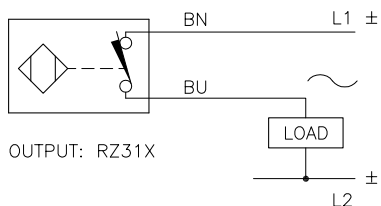
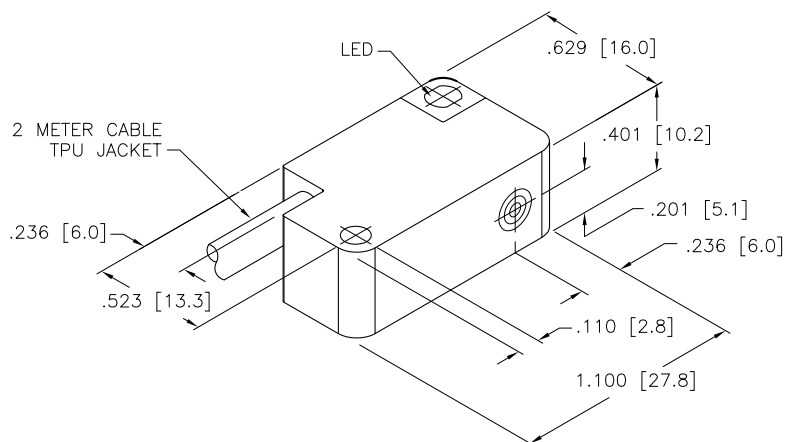


WIRING DIAGRAM



WARNING: NO SHORT-CIRCUIT PROTECTION.  
ALWAYS WIRE A LOAD IN SERIES WITH THE SENSOR.



CABLE LENGTH	TOLERANCE
ALL LENGTHS	+ 4% (OR 50mm) OF LENGTH - 0% (OR 0mm) OF LENGTH WHICHEVER IS GREATER
STRIP LENGTH	TOLERANCE
0-7mm	±0.5mm
8-29mm	±1.0mm
30-49mm	±2.0mm
50-69mm	±3.0mm
70-100mm	±4.0mm
OVER 100mm	±5.0mm

SPECIFICATIONS

OPERATING VOLTAGE	20-250 VAC, 10-300 VDC
LINE FREQUENCY	40-60 Hz
HYSTERESIS (DIFFERENTIAL TRAVEL)	3-15% (5% TYPICAL)
VOLTAGE DROP ACROSS CONDUCTING SENSOR	≤ 6.0 V at 100 mA
OUTPUT FUNCTION -AZ	NORMALLY CLOSED 2-WIRE AC/DC
SHORT-CIRCUIT PROTECTED	NO
CONTINUOUS LOAD CURRENT	≤ 100 mA
OFF-STATE (LEAKAGE) CURRENT	≤ 1.7 mA
MINIMUM LOAD CURRENT	≥ 3.0 mA
INRUSH CURRENT	≤ 1.0 A (≤ 30 ms, 15% DUTY CYCLE)
TIME DELAY BEFORE AVAILABILITY	≤ 60 ms
POWER-ON EFFECT	Per IEC 947-5-2
PROTECTION AGAINST TRANSIENTS	Per EN 60947-5-2
OPERATING TEMPERATURE	-25°C to +70°C (-13°F to +158°F)
ENCLOSURE	MEETS NEMA 1, 3, 4, 6, 13 AND IEC IP67
SHOCK	30 g, 11 ms
VIBRATION	55 Hz, 1 mm AMPLITUDE (IN ALL 3 PLANES)
LED FUNCTION	RED: OUTPUT ENERGIZED (4 SIDES)
SENSING RANGE	2 mm = .079" (NOMINAL)
SWITCHING FREQUENCY	60 Hz
REPEATABILITY	≤ 2% OF RATED OPERATING DISTANCE
EMBEDDABLE (SHIELDED)	YES

RELATED DOCUMENTS 1. 2. 3. 4.	3RD ANGLE PROJECTION 	THIS DRAWING IS PROPERTY OF TURCK INC. USE OF THIS DOCUMENT WITHOUT WRITTEN PERMISSION IS PROHIBITED.		<b>TURCK INC</b> High Technology Sensors and Automation Controls 3000 CAMPUS DRIVE MINNEAPOLIS, MN 55441 1-800-544-7769 (763) 553-7300 (763) 553-0708 fax turck.com	
	MATERIAL PA12-GF20 PLASTIC	DRFT JBW	DATE 08/21/01	DESCRIPTION Bi 2-Q10S-RZ31X	
FINISH	ALL DIMENSIONS DISPLAYED ON THIS DRAWING ARE FOR REFERENCE ONLY	DSGN	SCALE 1=.8	IDENTIFICATION NO. S1314300	
	CONTACT TURCK FOR MORE INFORMATION	UNIT OF MEASUREMENT <b>INCH [ MILLIMETER ]</b>		REV B	
		DO NOT SCALE THIS DRAWING		FILE: S1314300	
				SHEET 1 OF 1	

B	DRAWING PROCESSED AS PART OF ECO 33971	CBM	04/06/11	33971
REV	DESCRIPTION	BY	DATE	ECO NO.