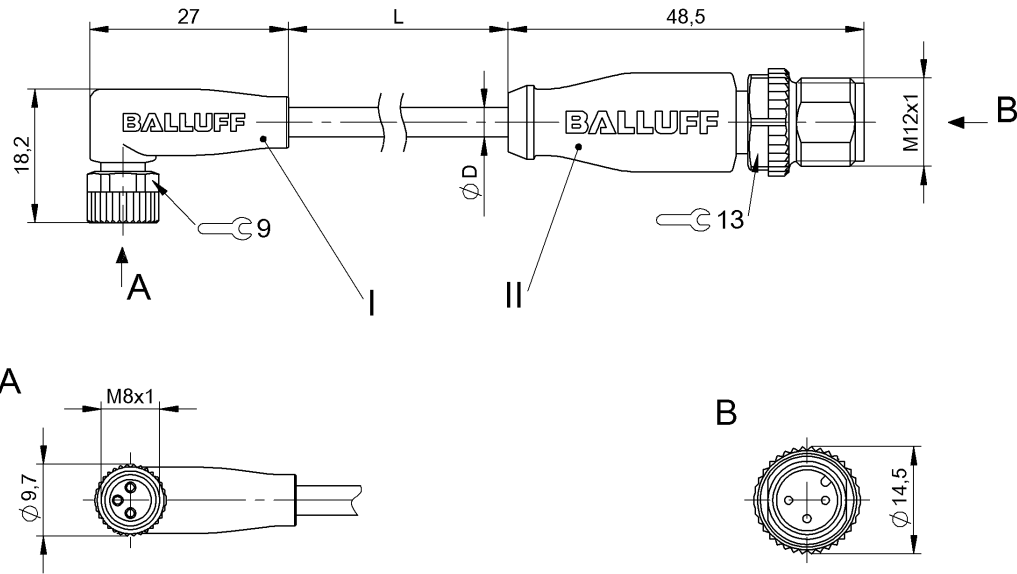


BCC M323-M413-3E-300-PX0334-003
BCC03FM



4MT5
(CJ/VV CABLE ASSEMBLY)

Cable temperature UL max., flexible routing 80 °C

Electrical connection

Bending radius min., fixed cable	5 x D
Bending radius min., flexible cable	10 x D
Cable	PUR black, 0.30 m, Drag chain compatible
Cable diameter D	4.30 mm ±0.20 mm
Cable, bending cycles min.	5 million
Cable, torsion stress	±180°/m
Conductor cross-section	0.34 mm ²
Number of conductors	3
Number of pins	3/3
System	Molded/Molded

General data

Approval/Conformity cULus LISTED

Material

Material contact carrier	PUR/PUR
Material contacts	Bronze/Brass
Material cover nut	Die-cast zinc/Die-cast zinc
Material grip	TPU/TPU

Mechanical data

Acceleration max., drag chain	5 m/s ²
Tightening torque pigtail	0.4 Nm/0.6 Nm
Traverse speed max., drag chain	200 m/min

Remarks

Enclosure rating per IEC 60529, only in screwed state with the associated mating piece.
Cable construction acc. to UL-AWM Style 20549
Halogen-free per DIN VDE 0472 Part 815
Silicone-free
Flame-retarding acc. to IEC 60332-2

Electrical data

Horizontal travel permitted, drag chain	5 m
Rated current (40 °C)	4.0 A
Vertical travel permitted, drag chain	5 m

Environmental conditions

Cable temperature, drag chain	-25...60 °C
Cable temperature, fixed routing	-50...90 °C
Cable temperature, flexible routing	-25...90 °C
Protection type IEC 60529	IP67 /IP68

Functional safety

Cable temperature UL max., fixed routing 80 °C

BCC M323-M413-3E-300-PX0334-003
BCC03FM

Connector view



Wiring Diagram

