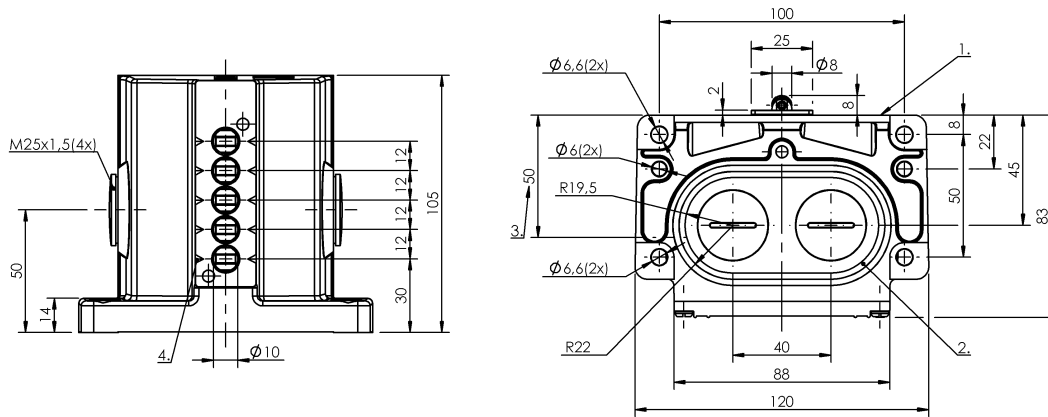


BNS 813-D05-L12-100-22-05  
BNS0129



1) Reference edge 2) Sealing ring 3) Cable passage 4) Mark. Safety switch position



## Display/Operation

Function indicator 1-5. Switch position: None

## Electrical connection

Connection type 1-5. Switch position: Screw terminal

## Electrical data

Continuous current 1-5. Switch position: 6 A  
 Rated operating voltage  $U_e$  1-5. Switch position: 250 VAC  
 Switching function mechanical Dual changeover  
 One NO and one NC galvanically isolated  
 Normally open with snap funct.  
 Double-interrupting  
 NC forced-opening per VDE  
 Switching rate 1-5. Switch position: 160/min

## Environmental conditions

Ambient temperature -5...85 °C  
 Protection type IEC 60529 IP67

## Functional safety

B10d BSE 85: 1 mil. switching cycles  
 Diagnostic coverage 0.0 %  
 Functional safety no  
 Mission Time 20 a

## General data

Approval/Conformity CE  
 CCC  
 Basic standard IEC 60947-5-1  
 DIN switch DIN 43697  
 Operating principle 1-5. Switch position: mechanical  
 Version Safety EN 60204-1

## Material

Housing material Aluminum  
 Material contacts 1-5. Switch position: Fine silver  
 Plunger material 1-5. Switch position: Stainless steel (1.4034)  
 Surface protection anodized

## Mechanical data

Approach direction longitudinal, parallel to attachment surface  
 Approach speed 1-5. Switch position: 80 m/min  
 Dimension 120 x 105 x 83 mm  
 Distance cam - reference edge 1-5. Switch position: 4.50...5.00 mm  
 Flange, feed-through 2 threaded exit M25  
 Installation Vertical  
 Life expectancy mechanical 1-5. Switch position: 1 mil. switching operations  
 Number of switching positions 5x Roller bearing  
 Plunger spacing 1st switch position 30 mm  
 Plunger style 1-5. Switch position: Roller bearing  
 Switch actuation force 1-5. Switch position: 30 N  
 Switching element 1-5. Switch position: BSE 85

## BNS 813-D05-L12-100-22-05 BNS0129

### Range/Distance

Reproducibility	1-5. Switch position: $\pm 0.02$ mm
Switch position spacing	12 mm

Specification of the MTTF value and the B10d value do not represent any binding quality and/or life expectancy guarantees.

Note that the products listed here are not themselves safety components according to the Machine Directive 2006/42/EG Article 2 c. It is however possible to create corresponding structures with a high Performance Level per EN 13849-1 by means of two-channel utilization.

### Wiring Diagram

BSE 85

