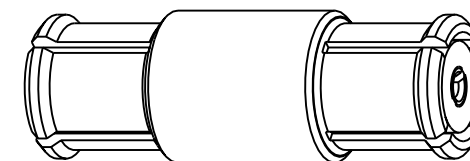
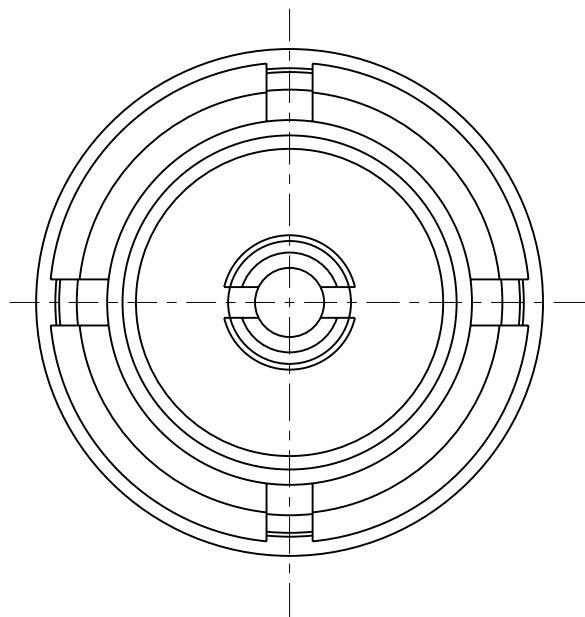


- (NOTES:  
1. MATERIALS AND FINISHES:  
BODY - BeCu, GOLD PLATING, .000030 [0.8] THICK OVER NICKEL  
CONTACT - BeCu, GOLD PLATING, .000030 [0.8] THICK OVER NICKEL  
INSULATOR - PTFE  
2. ELECTRICAL:  
A. IMPEDANCE: 50 OHM  
B. FREQUENCY RANGE: DC - 26.5 GHz  
C. VSWR(RETURN LOSS): 1.2 (20.8 dB), MAX. DC-10GHz  
1.4 (15.6 dB), MAX. 10-18GHz  
1.5 (14 dB), MAX. 18-26.5GHz  
D. DIELECTRIC WITHSTANDING VOLTAGE: 500 VRMS, MIN.  
3. PHYSICAL:  
A. DURABILITY: 100 CYCLES MIN.  
B. ENGAGEMENT FORCE: 15 LB [67 N] MAX  
C. DISENGAGEMENT FORCE: 2 LB [9 N] MIN  
E. TEMPERATURE RANGE: -65° C TO 165° C  
4. SINGLE PACKAGING:  
A. QUANTITY: SINGLE PACK  
B. MARKING: AMPHENOL, SMP-FSBA-990, DATE CODE  
5. BULKPACK AS FOLLOWS:  
A. QUANTITY: 100 PER BAG  
B. MARK BAG OR TAG "SMP-FSBA-990B, QTY 100 & YYWW"

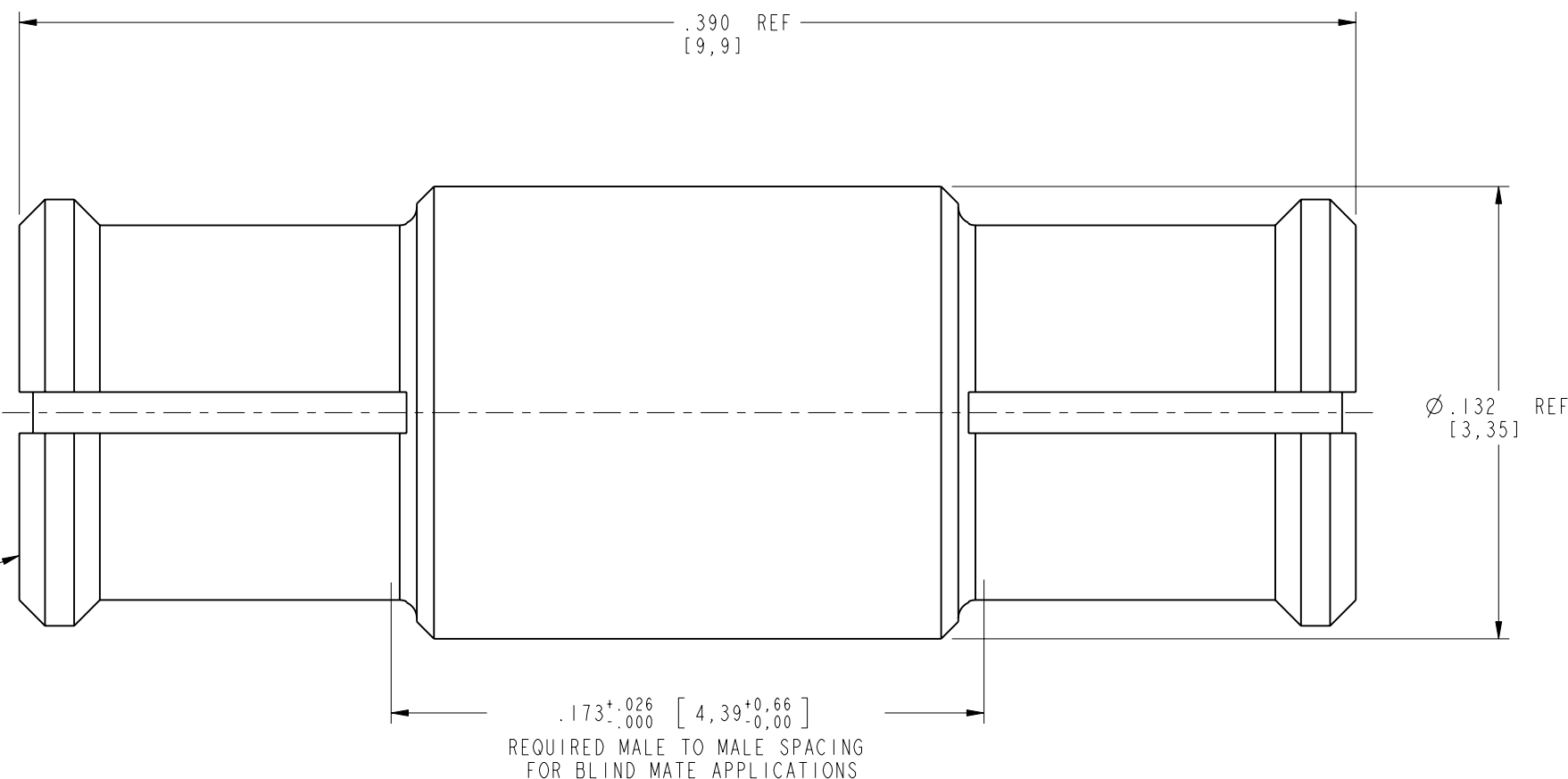
SMP-FSBA-990-X		REVISIONS			
DRAWING NO.	REV	DESCRIPTION	DATE	ECO	APPR
THIRD ANGLE PROJ.	A	RELEASE TO MFG	2/13/03	44371	CPM
	B	SEE SHEET 1	5/9/03	44466	CPM



SCALE 6.000



INTERFACE PER  
MIL-STD-348  
SERIES SMP  
(BOTH SIDES)



PART NUMBER	PACKAGING	REF NOTE
SMP-FSBA-990	1 PER BAG	NOTE 4
SMP-FSBA-990B	100 PER BAG	NOTE 5

**CUSTOMER OUTLINE DRAWING**  
**ALL OTHER SHEETS ARE FOR INTERNAL USE ONLY**

UNLESS OTHERWISE SPECIFIED, DIMENSIONS ARE IN INCHES AND TOLERANCES ARE:  
2 PLACE DECIMAL 3 PLACE DECIMAL ANGLES  
±.015 (0,381 mm) ±.005 (0,127 mm) ± 1°

NOTICE - These drawings, specifications, or other data (1) are, and remain the property of Amphenol Corp. (2) must be returned upon request; and (3) are confidential and not to be disclosed to any person other than those to whom they are given by Amphenol Corp. The furnishing of these drawings, specifications, or other data by Amphenol Corp., or to any other person to anyone for any purpose is not to be regarded by implication or otherwise in any manner licensing, granting rights or permitting such holder or any other person to manufacture, use or sell any product, process or design, patented or otherwise, that may in any way be related to or disclosed by said drawings, specifications, or other data.

MATERIAL

REFERENCE  
GEN# ASSYF4\_SMP  
EAR# 866  
615X-1783

DRAWN

C. McGRATH

ENGINEER  
OWEN BARTHELME

APPROVED  
B. GLEISSNER

CAD FILE  
I:\SMP\SMP-FSBA-990-X

DATE

2/13/03

DATE  
2/13/03

DATE  
2/13/03

TITLE

SMP BULLET ADAPTER  
FEMALE TO FEMALE

**Amphenol**

Amphenol Corporation  
Communication and Network  
Products Division  
Danbury, CT U.S.A. 06810

SCALE: 20.0:1 SHEET 2 OF 2

CODE ID  
74868

DWG SIZE  
B

DRAWING NO.  
SMP-FSBA-990-X

REV  
B