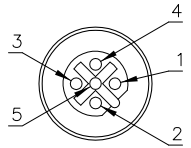


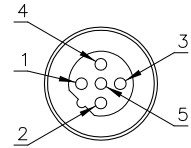
FEMALE END VIEW



- 1 = BROWN
- 2 = WHITE
- 3 = BLUE
- 4 = BLACK
- 5 = GREY



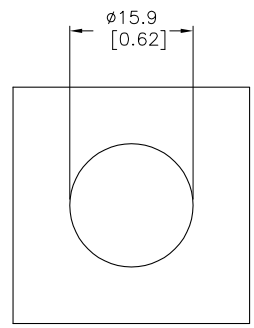
MALE END VIEW



- 1 = BROWN
- 2 = WHITE
- 3 = BLUE
- 4 = BLACK
- 5 = GREY

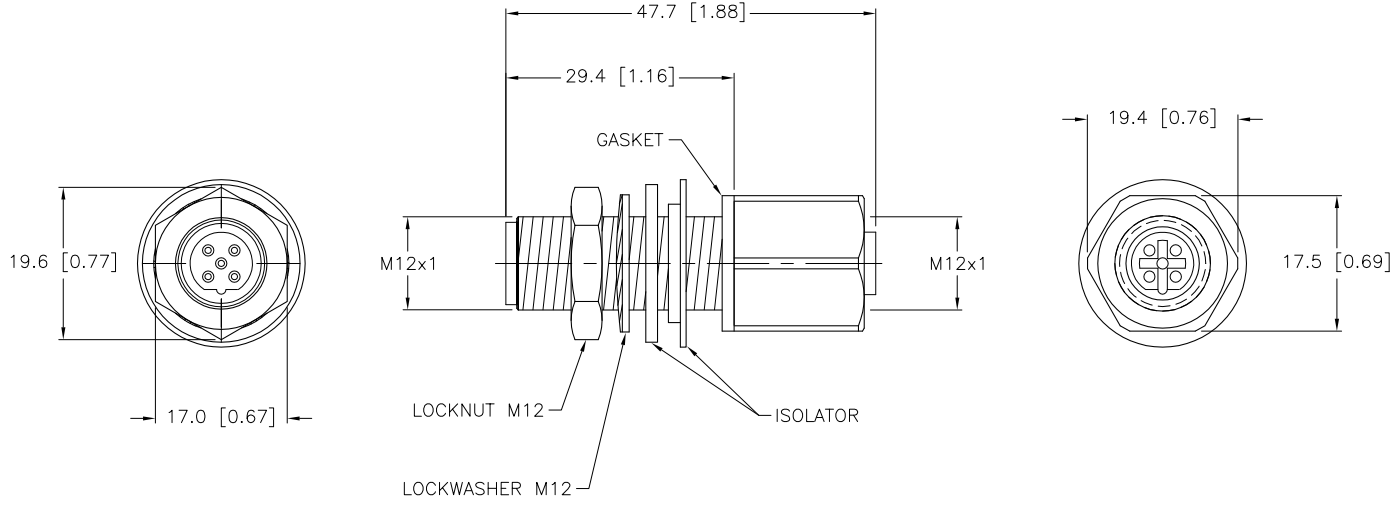


TYPICAL PANEL CUTOUT



SPECIFICATIONS

CONTACT CARRIER MATERIAL	NYLON OR TPU
CONTACT MATERIAL/PLATING	BRASS/GOLD
HOUSING MATERIAL/FINISH	STAINLESS STEEL/PASSIVATED
RATED CURRENT [A]	4.0 A
RATED VOLTAGE [V]	150 V
NUMBER OF CONDUCTORS [AWG]	5x22 AWG
TEMPERATURE RANGE	-40°C to +105°C (-40°F to +221°F)
PROTECTION CLASS	MEETS NEMA 1,3,4,6P AND IEC IP67
GASKET MATERIAL	NITRILE (BUNA N)
ISOLATOR MATERIAL	NYLON



SOURCE DRAWING - FOR REFERENCE ONLY

RELATED DOCUMENTS		3RD ANGLE PROJECTION		THIS DRAWING IS CONFIDENTIAL AND THE PROPERTY OF TURCK INC. USE OF THIS DOCUMENT WITHOUT WRITTEN PERMISSION IS PROHIBITED.		TURCK INC High Technology Sensors and Automation Controls 3000 CAMPUS DRIVE MINNEAPOLIS, MN 55441 1-800-544-7769 (763) 553-7300 (763) 553-0708 fax turck.com	
1.			ALL DIMENSIONS DISPLAYED ON THIS DRAWING ARE FOR REFERENCE ONLY	DRFT	RDS	DATE	03/01/04
2.				DSGN		SCALE	1=1.0
3.		UNIT OF MEASUREMENT				DESCRIPTION	
4.		MILLIMETER [INCH]				FKWV FSWV 45/M12	
MATERIAL		CONTACT TURCK FOR MORE INFORMATION				IDENTIFICATION NO.	
FINISH		DO NOT SCALE THIS DRAWING				U9492	
E UPDATE VOLTAGE RATING AND PROTECTION CLASS		RDS	07/28/11	35766	REV		E
REV	DESCRIPTION	BY	DATE	ECO NO.	FILE: U9492		SHEET 1 OF 1

E	UPDATE VOLTAGE RATING AND PROTECTION CLASS	RDS	07/28/11	35766
REV	DESCRIPTION	BY	DATE	ECO NO.