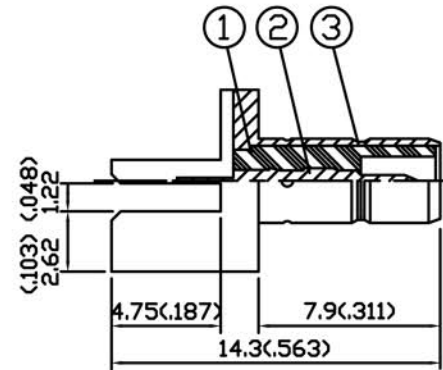
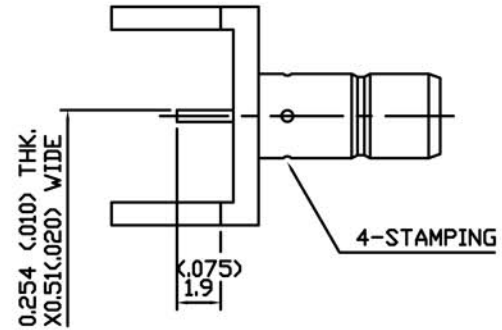
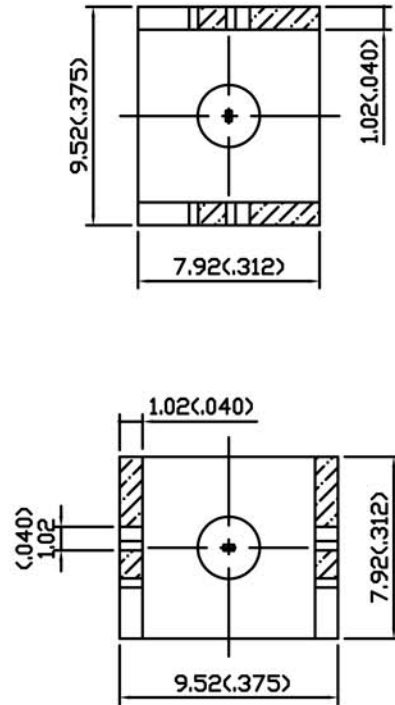


NO	DESCRIPTION	DATE
⚠	BACKGROUND FORMAT UPDATED	06.24.02'



NOTES: UNLESS OTHERWISE SPECIFIED

1. BODIES: BRASS PER JIS-C3604
2. CENTER CONTACT: BERYLLIUM COPPER PER JIS-C1730B
3. INSULATION: TEFLON PER ASTM D1457 AND ASTM D1710
4. CONNECTOR INTERFACE PER MIL-STD-348A
5. PART TO BE CLEAN AND FREE OF BURRS

NO	DESCRIPTION	MATERIAL	Q'TY	FINISH
3	BODY	BRASS	1	GOLD 3 μ"MIN.
2	CENTER CONTACT	BERYLLIUM COPPER	1	GOLD 30 μ"MIN.
1	INSULATION	TEFLON	1	NONE
NO	DESCRIPTION	MATERIAL	Q'TY	FINISH

製圖	DRAWN	TOLERANCE		品名	日期	DATE	版次	REV.
	袁金玉	.X	±0.2	24-14-11 (50Ω)		01.09.02'		A-1
檢圖	CHECK	.XX	±0.1	UNIT	DWG.NO.	24-0002		
	袁金華	.XXX	±0.05	mm(in)				
認定	APPROVAL	蘇文申	ANGLE ±5°	SCALE				
				4:1				