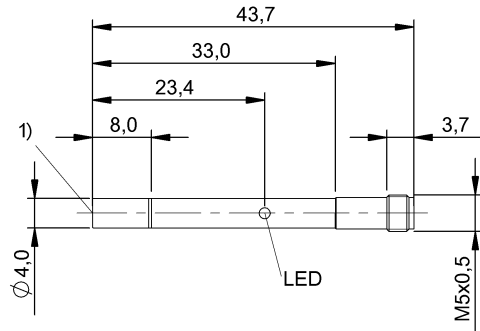


BES G04ED-NSC50F-S26G BES0129



1) Sensing surface



IND. CONT. EQ
81U2
for use in the secondary of
a class 2 source of supply
Environmental - Type 1 Enclosure



Display/Operation

Function indicator	yes
Power indicator	no

Electrical connection

Connection	M5x0.5-Connector
Polarity reversal protected	yes
Short-circuit protection	yes

Electrical data

Hysteresis H max. (% of Sr)	20.0 %
Load capacitance max. at Ue	0.5 µF
No-load current I ₀ max., undamped	8 mA
Operating voltage U _b	10...30 VDC
Output resistance R _a	Open collector
Pollution degree	3
Protected against miswiring	yes
Rated insulation voltage U _i	75 V DC
Rated operating current I _e DC	100 mA
Rated operating voltage U _e DC	24 V
Rated short circuit current	100 A
Ready delay t _v max.	20 ms
Repeat accuracy max. (% of Sr)	10.0 %
Residual current I _r max.	10 µA
Switching frequency	3000 Hz
Utilization category	DC -13
Voltage drop static max.	2.5 V

Environmental conditions

Ambient temperature	-25...70 °C
---------------------	-------------

Protection type IEC 60529

IP67

General data

Approval/Conformity	CE cULus EAC
Basic standard	IEC 60947-5-2

Material

Housing material	Stainless steel
Material sensing surface	PET-C

Mechanical data

Dimension	Ø 4 x 44 mm
Installation	non-flush
Size	D4.0

Output/Interface

Switching output	NPN Normally open (NO)
------------------	------------------------

Range/Distance

Assured operating distance S _a	4.05 mm
Range	5 mm
Rated operating distance S _n	5 mm
Ripple max. (% of U _e)	10 %
Switching distance marking	■■■
Temperature drift max. (% of Sr)	10 %

BES G04ED-NSC50F-S26G BES0129

Remarks

The sensor is functional again after the overload has been eliminated.
EMC: For operating conditions with noise sources external protection circuit is required. Document 825345.

Cannot be flush mounted: see installation instructions for inductive sensors with extended switching distance 843281. Avoid pressure and contact in the area of the clear zone cap.

Connector view



Wiring Diagram

