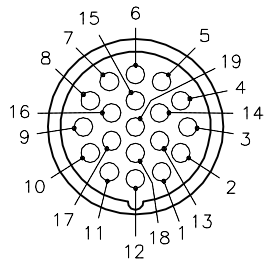



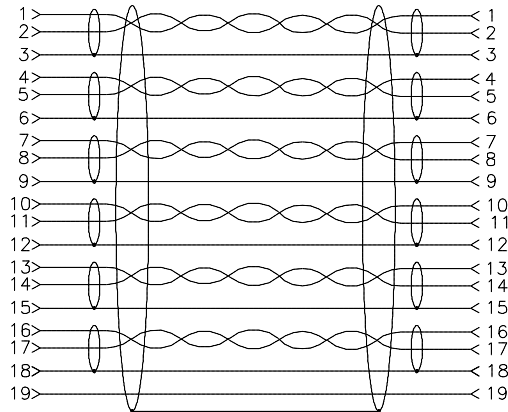
FEMALE END VIEW



- 1 = BLACK #1
- 2 = WHITE #1
- 3 = DRAIN #1
- 4 = BLACK #2
- 5 = WHITE #2
- 6 = DRAIN #2
- 7 = BLACK #3
- 8 = WHITE #3
- 9 = DRAIN #3
- 10 = BLACK #4
- 11 = WHITE #4
- 12 = DRAIN #4
- 13 = BLACK #5
- 14 = WHITE #5
- 15 = DRAIN #5
- 16 = BLACK #6
- 17 = WHITE #6
- 18 = DRAIN #6
- 19 = GREEN/YELLOW

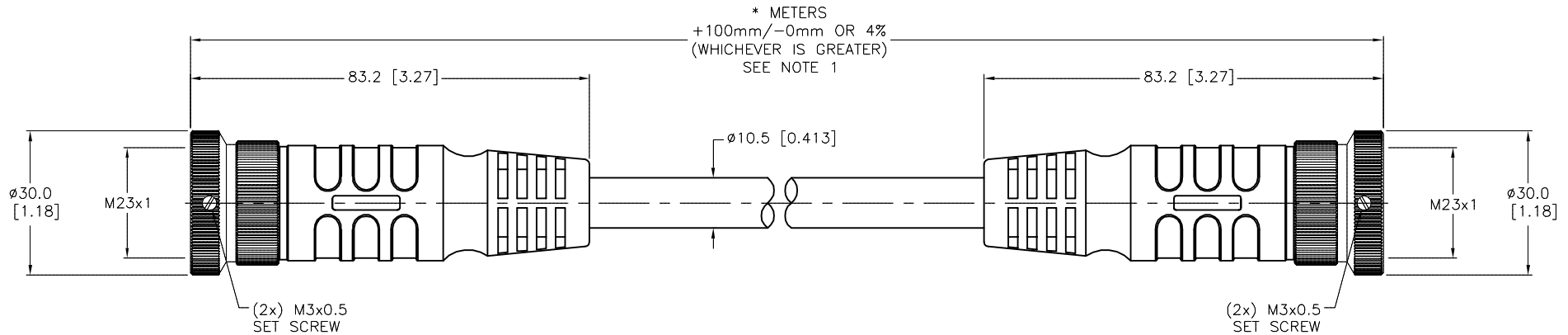
 M23 connector

WIRING DIAGRAM



SPECIFICATIONS

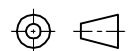
CONTACT CARRIER MATERIAL	NYLON or PBT
MOLDED HEAD MATERIAL/COLOR	TPU/BLACK
CONTACT MATERIAL/PLATING	BRASS/GOLD
COUPLING NUT MATERIAL/FINISH	STAINLESS STEEL/PASSIVATED
RATED CURRENT [A]	9.0 A (PIN 19), 2.0 A (ALL OTHERS)
RATED VOLTAGE [V]	150 V
OUTER JACKET MATERIAL/COLOR	PVC/PLUM
CONDUCTOR INSULATION MATERIAL	PVC
NUMBER OF CONDUCTORS [AWG]	12x22 AWG; 1x18 AWG
DRAIN/SHIELD	6x22 AWG DRAINS/INDIVIDUALLY SHIELDED, 100% OVERALL SHIELD; 1x22 AWG OVERALL DRAIN
CONDUCTOR ARRANGEMENT	6 SHIELDED TWISTED PAIR W/DRAIN, 1 GND, 1 DRAIN
TEMPERATURE RANGE	-40°C to 105°C (-40°F to 221°F)
PROTECTION CLASS	MEETS IEC IP67
CABLE RATINGS	UL: ITC/PLTC/AWM, 105C, 300V CSA: CMG/AWM, 105C, 300V



SOURCE DRAWING - FOR REFERENCE ONLY

NOTES:

1. "\*" INDICATES CABLE LENGTH IN METERS. CONTACT TURCK TO ORDER SPECIFIC LENGTHS.

RELATED DOCUMENTS 1. 2. 3. 4.	3RD ANGLE PROJECTION 	THIS DRAWING IS CONFIDENTIAL AND THE PROPERTY OF TURCK INC. USE OF THIS DOCUMENT WITHOUT WRITTEN PERMISSION IS PROHIBITED.		<b>TURCK INC</b> High Technology Sensors and Automation Controls 3000 CAMPUS DRIVE MINNEAPOLIS, MN 55441 1-800-544-7769 (763) 553-7300 (763) 553-0708 fax turck.com	
	MATERIAL SEE SPECIFICATIONS	DRFT RWC	DATE 07/22/05	DESCRIPTION P-CKMT CKMT 19-195-*	
FINISH SEE SPECIFICATIONS	ALL DIMENSIONS DISPLAYED ON THIS DRAWING ARE FOR REFERENCE ONLY	APVD	SCALE 1=1.3	IDENTIFICATION NO.	
CONTACT TURCK FOR MORE INFORMATION		UNIT OF MEASUREMENT <b>MILLIMETER [ INCH ]</b>		REV E	
DO NOT SCALE THIS DRAWING		FILE: 777012086		SHEET 1 OF 1	

E	DRAWING PROCESSED AS PART OF ECO 39876	KMY	09/13/12	39876
REV	DESCRIPTION	BY	DATE	ECO NO.