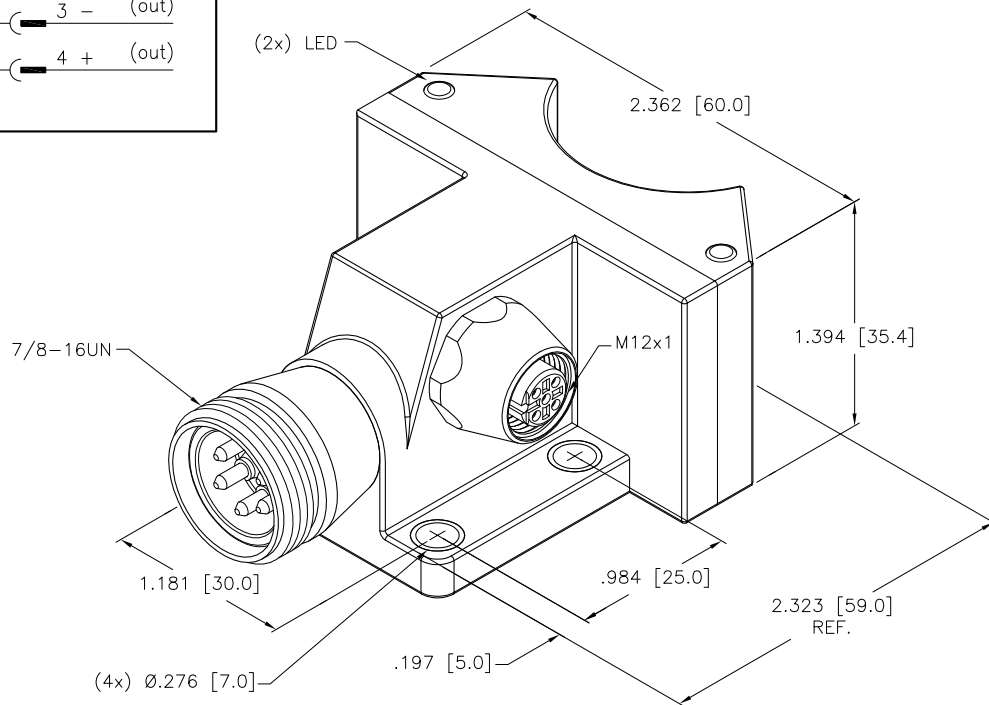
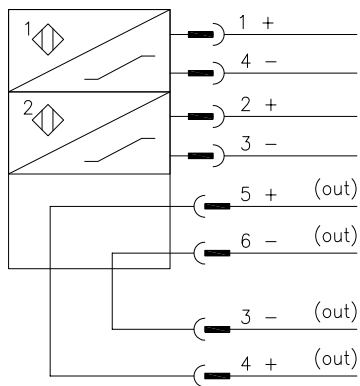


WIRING DIAGRAM



SPECIFICATIONS

RATED OPERATING DISTANCE	4mm = .158"
MOUNTING MODE	NON-FLUSH
MIN. REPEAT ACCURACY	≤ 2%
TEMPERATURE DRIFT	≤ ±10%
HYSTERESIS (SWITCHING DISTANCE)	1-10%
OPERATING TEMPERATURE	-25°C to +70°C (-13°F to +158°F)
OUTPUT FUNCTION	6-WIRE, NAMUR
VALVE CONTROL	EExi (MAX. 30 V)
MAX. SWITCHING FREQUENCY	≤ 0.05 kHz
VOLTAGE	NOM. 8.2 VDC
NON-ACTUATED CURRENT CONSUMPTION	≥ 2.1 mA
ACTUATED CURRENT CONSUMPTION	≤ 1.2 mA
APPROVAL ACCORDING TO:	KEMA 02 ATEX 1090X
INTERNAL INDUCTANCE (Li)/ CAPACITANCE (Ci)	150 nF/150 μH
MARKING OF DEVICE	Ⓔ II 2 G EEx ia IIC T6/ II 1 D T 95 °C IP67 (max. U <sub>i</sub> = 20 V, I <sub>i</sub> = 60 mA, P <sub>i</sub> = 200 mW)
<b>! WARNING</b>	WHEN MOUNTED IN AREAS SUBJECT TO DUST HAZARDS, PLEASE ENSURE IMPACT-RESISTANT AND VIBRATION-PROOF INSTALLATION
HOUSING MATERIAL	PLASTIC, PA12-GF20
ACTIVE FACE	PLASTIC, PA12-GF20
CONNECTION	7/8" CONNECTOR
VALVE CONNECTION	M12x1 CONNECTOR
SHOCK	30 g, 11 ms
VIBRATION	55 Hz, 1 mm AMPLITUDE (IN ALL 3 PLANES)
DEGREE OF PROTECTION	IP67
SWITCHING STATUS INDICATION	2x LED: YELLOW/RED

SOURCE DRAWING - FOR REFERENCE ONLY

RELATED DOCUMENTS 1. 2. 3. 4.	3RD ANGLE PROJECTION 	THIS DRAWING IS PROPERTY OF TURCK INC. USE OF THIS DOCUMENT WITHOUT WRITTEN PERMISSION IS PROHIBITED.		3000 CAMPUS DRIVE MINNEAPOLIS, MN 55441 1-800-544-7769 (763) 553-7300 (763) 553-0708 fax turck.com	
	MATERIAL	DRFT RDS	DATE 11/27/06	DESCRIPTION NI4-DSU35-2Y1X2-B1160-FKE4.3	
	FINISH	DSGN MH	SCALE 1=1.0		
		ALL DIMENSIONS DISPLAYED ON THIS DRAWING ARE FOR REFERENCE ONLY  CONTACT TURCK FOR MORE INFORMATION	UNIT OF MEASUREMENT <b>INCH [ MILLIMETER ]</b>		IDENTIFICATION NO. M1051015
		DO NOT SCALE THIS DRAWING		FILE: M1051015	SHEET 1 OF 1

A	DRAWING RELEASE	RDS	11/28/06	
REV	DESCRIPTION	BY	DATE	ECO NO.