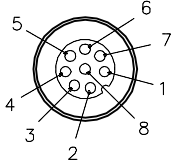
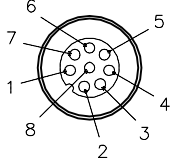
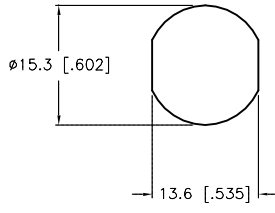


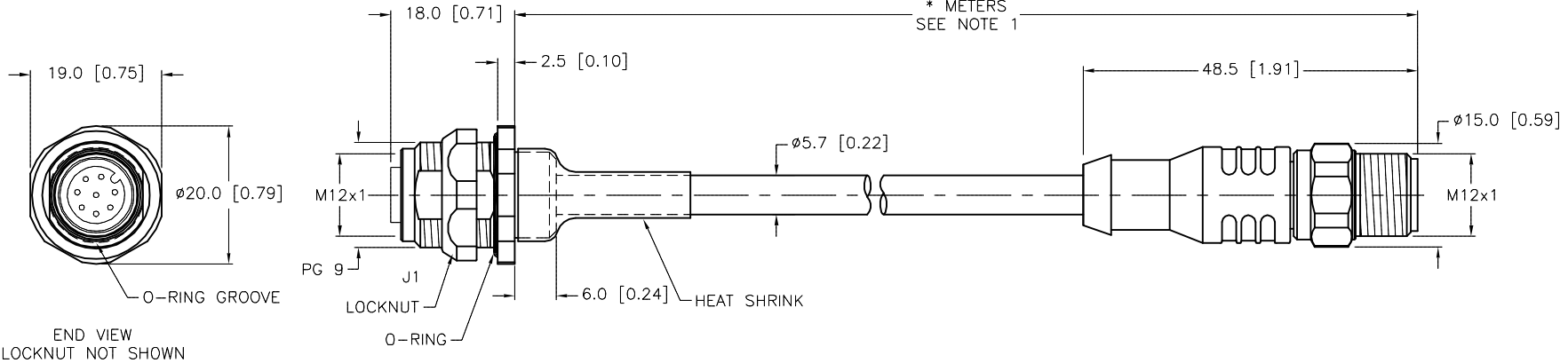


FEMALE END VIEW	MALE END VIEW	TYPICAL PANEL CUTOUT	SPECIFICATIONS	
 <p>1 = WHITE 2 = BROWN 3 = GREEN 4 = YELLOW 5 = GRAY 6 = PINK 7 = BLUE 8 = RED</p>	 <p>1 = WHITE 2 = BROWN 3 = GREEN 4 = YELLOW 5 = GRAY 6 = PINK 7 = BLUE 8 = RED</p>		CONTACT CARRIER MATERIAL/COLOR	NYLON OR TPU/BLACK
			MOLDED HEAD MATERIAL/COLOR	TPU/YELLOW
 			CONTACT MATERIAL/PLATING	BRASS/GOLD
			COUPLING NUT MATERIAL/FINISH	STAINLESS STEEL/PASSIVATED
			RATED CURRENT [A]	2.0 A
			RATED VOLTAGE [V]	60 VAC/75 VDC
			OUTER CABLE JACKET MATERIAL/COLOR	PVC/GRAY
			CONDUCTOR INSULATION MATERIAL	PVC
			NUMBER OF CONDUCTORS [AWG]	8x24 AWG
			TEMPERATURE RANGE	-40°C to +105°C (-40°F to +221°F)
			PROTECTION CLASS	MEETS NEMA 1,3,4,6P AND IEC IP68
			MAX. PANEL THICKNESS	3.0 [0.12]

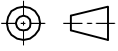


CABLE LENGTH	TOLERANCE*
ALL LENGTHS	+ 4% (OR 50mm) OF LENGTH - 0% (OR 0mm) OF LENGTH WHICHEVER IS GREATER
STRIP LENGTH	TOLERANCE*
0-7mm	±0.5mm
8-29mm	±1.0mm
30-49mm	±2.0mm
50-69mm	±3.0mm
70-100mm	±4.0mm
OVER 100mm	±5.0mm

* UNLESS OTHERWISE SPECIFIED

SOURCE DRAWING - FOR REFERENCE ONLY

NOTES:
1."*" DESIGNATES CABLE LENGTH IN METERS. CONTACT TURCK TO ORDER SPECIFIC LENGTHS.

RELATED DOCUMENTS	3RD ANGLE PROJECTION	THIS DRAWING IS CONFIDENTIAL AND THE PROPERTY OF TURCK INC. USE OF THIS DOCUMENT WITHOUT WRITTEN PERMISSION IS PROHIBITED.		TURCK INC High Technology Sensors and Automation Controls 3000 CAMPUS DRIVE MINNEAPOLIS, MN 55441 1-800-544-7769 (763) 553-7300 (763) 553-0708 fax turck.com	
1.		DRFT	RDS	DATE	05/17/07
2.		APVD		SCALE	1=1.0
3.	ALL DIMENSIONS DISPLAYED ON THIS DRAWING ARE FOR REFERENCE ONLY	UNIT OF MEASUREMENT		DESCRIPTION	
4.		MILLIMETER [INCH]		FKFDV 8-*--RSCV 8T	
MATERIAL	CONTACT TURCK FOR MORE INFORMATION	IDENTIFICATION NO.		REV	
SEE SPECIFICATIONS				D	
FINISH	DO NOT SCALE THIS DRAWING	FILE: 777017353		SHEET 1 OF 1	
SEE SPECIFICATIONS					

D	UPDATE HOUSING	NF	02/03/16	53382
REV	DESCRIPTION	BY	DATE	ECO NO.