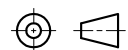



SOURCE DRAWING - FOR REFERENCE ONLY

NOTES:

1. "/S771" DESIGNATES STANDARD CORDSET WITH BLACK PLUG BODY.

RELATED DOCUMENTS 1. 2. 3. 4.	3RD ANGLE PROJECTION 	THIS DRAWING IS CONFIDENTIAL AND THE PROPERTY OF TURCK INC. USE OF THIS DOCUMENT WITHOUT WRITTEN PERMISSION IS PROHIBITED.		<div style="text-align: center;">  <i>High Technology Sensors and Automation Controls</i> </div> <div style="font-size: small;"> 3000 CAMPUS DRIVE MINNEAPOLIS, MN 55441 1-800-544-7769 (763) 553-7300 (763) 553-0708 fax turck.com </div>	
		MATERIAL SEE SPECIFICATIONS	DRFT JBU APVD	DATE 09/16/03 SCALE 1=1.0	DESCRIPTION YBZ2-FSM 4.5/2FKM 4.5/S771
FINISH SEE SPECIFICATIONS	ALL DIMENSIONS DISPLAYED ON THIS DRAWING ARE FOR REFERENCE ONLY CONTACT TURCK FOR MORE INFORMATION	UNIT OF MEASUREMENT MILLIMETER [INCH]		IDENTIFICATION NO. U0932-69	REV D
DO NOT SCALE THIS DRAWING		FILE: U0932-69		SHEET 1 OF 1	

D	DRAWING PROCESSED AS PART OF ECO 38406	KMY	03/21/12	38406
REV	DESCRIPTION	BY	DATE	ECO NO.