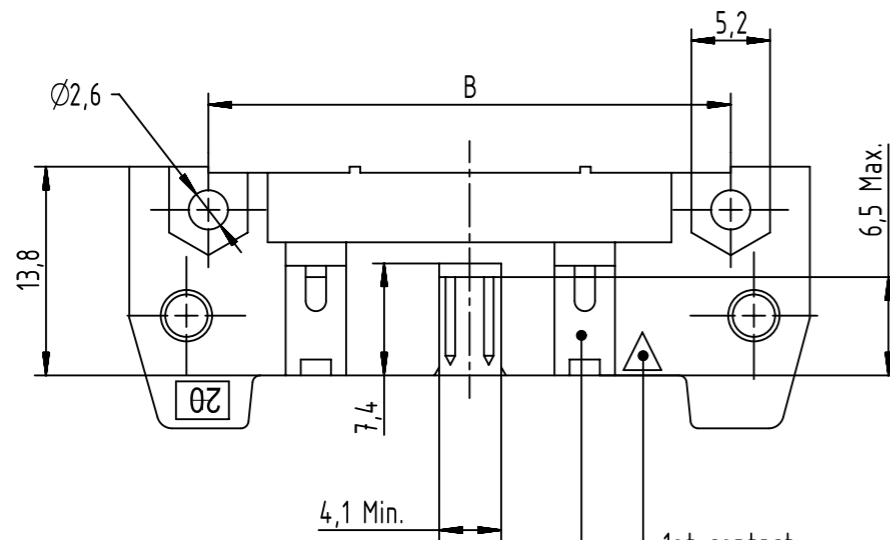
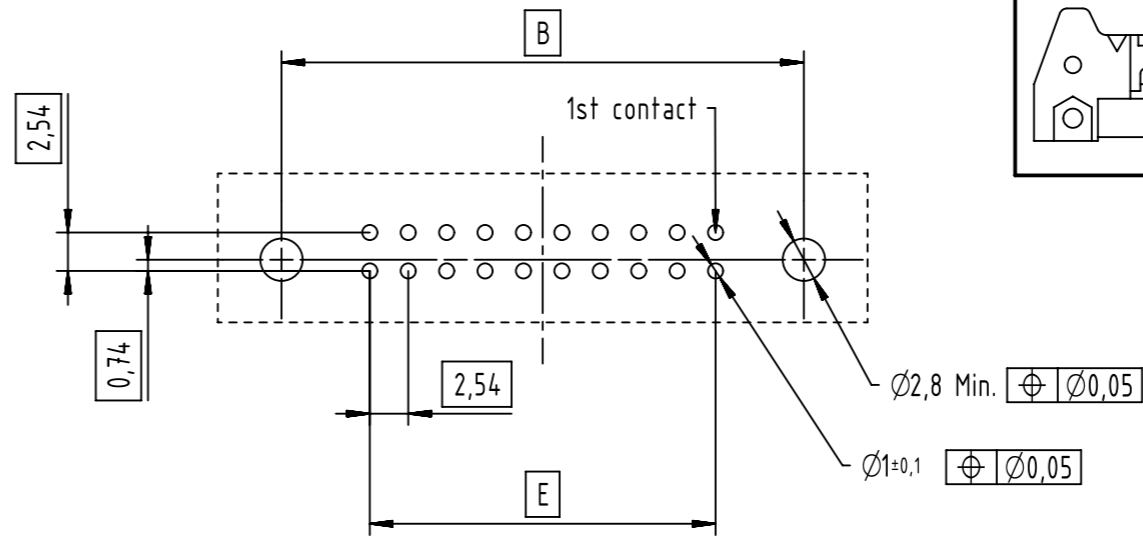
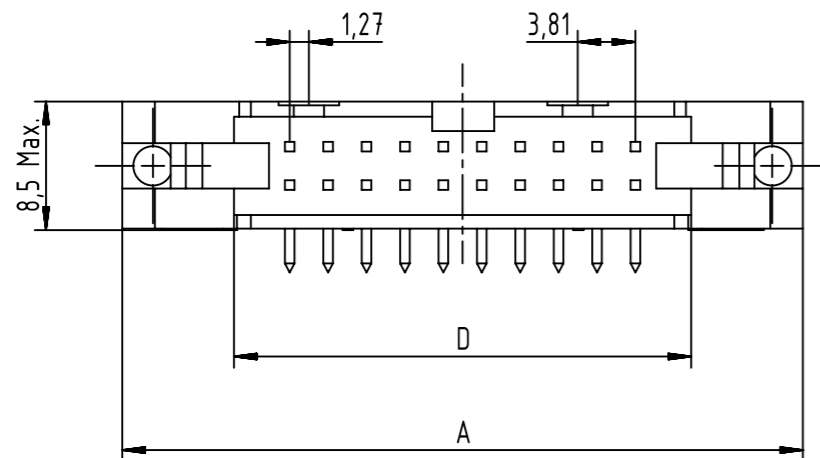


Coding style table	
	Style A: For connectors 6 poles
	Style B: For connectors from 10 to 14 poles
	Style C: For connectors from 16 to 64 poles




See tables for coding feature arrangement and style

-Technical information available on a separate document ref: DS 09181200001
 -Full range of P/N's and dimensions shown on page 2/2

	All Dimensions in mm Original Size DIN A3	Scale 2:1	Free size tol.		Ref.
	All rights reserved Department EC PD - FR	Created by DOUGE	Inspected by BAGDIKIAN	Standardisation HOFFMANN	Date 2014-05-16
HARTING Electronics GmbH D-32339 Espelkamp		Title SEK 18 male STD angled w/O levers			State Final Release
		Type TB	Number 09185XXX923		Doc-Key / ECM-Nr. 100566959/UGD/001/A 50000068837
					Rev. A Page 1/2

		Performance Level			Dimensions			
		PL3	PL2	S4				
Nb of Contacts	Part Number	Part Number	Part Number	Insulator Color	A Max	B	D	E
06	0918 506 7923	0918 506 6923	0918 506 5923	Grey	27,2	16,76	12,45	2,54 x 2 = 5,08
10	0918 510 7923	0918 510 6923	0918 510 5923		32,3	21,84	17,53	2,54 x 4 = 10,16
14	0918 514 7923	0918 514 6923	0918 514 5923		37,4	26,92	22,61	2,54 x 6 = 15,24
16	0918 516 7923	0918 516 6923	0918 516 5923		39,9	29,46	25,15	2,54 x 7 = 17,78
20	0918 520 7923	0918 520 6923	0918 520 5923		45,0	34,54	30,23	2,54 x 9 = 22,86
24	0918 524 7923	0918 524 6923	0918 524 5923		50,1	39,62	35,91	2,54 x 11 = 27,94
26	0918 526 7923	0918 526 6923	0918 526 5923		52,6	42,16	37,85	2,54 x 12 = 30,48
30	0918 530 7923	0918 530 6923	0918 530 5923		58,0	47,24	43,83	2,54 x 14 = 35,56
34	0918 534 7923	0918 534 6923	0918 534 5923		62,8	52,32	48,01	2,54 x 16 = 40,64
40	0918 540 7923	0918 540 6923	0918 540 5923		70,4	59,94	55,63	2,54 x 19 = 48,26
50	0918 550 7923	0918 550 6923	0918 550 5923		83,1	72,64	68,33	2,54 x 24 = 60,96
60	0918 560 7923	0918 560 6923	0918 560 5923		95,8	85,34	81,03	2,54 x 29 = 73,66
64	0918 564 7923	0918 564 6923	0918 564 5923		100,9	90,42	86,11	2,54 x 31 = 78,74
06	0918 506 7923 001	0918 506 6923 001	0918 506 5923 001		Black	27,2	16,76	12,45
10	0918 510 7923 001	0918 510 6923 001	0918 510 5923 001	32,3		21,84	17,53	2,54 x 4 = 10,16
14	0918 514 7923 001	0918 514 6923 001	0918 514 5923 001	37,4		26,92	22,61	2,54 x 6 = 15,24
16	0918 516 7923 001	0918 516 6923 001	0918 516 5923 001	39,9		29,46	25,15	2,54 x 7 = 17,78
20	0918 520 7923 001	0918 520 6923 001	0918 520 5923 001	45,0		34,54	30,23	2,54 x 9 = 22,86
24	0918 524 7923 001	0918 524 6923 001	0918 524 5923 001	50,1		39,62	35,91	2,54 x 11 = 27,94
26	0918 526 7923 001	0918 526 6923 001	0918 526 5923 001	52,6		42,16	37,85	2,54 x 12 = 30,48
30	0918 530 7923 001	0918 530 6923 001	0918 530 5923 001	58,0		47,24	43,83	2,54 x 14 = 35,56
34	0918 534 7923 001	0918 534 6923 001	0918 534 5923 001	62,8		52,32	48,01	2,54 x 16 = 40,64
40	0918 540 7923 001	0918 540 6923 001	0918 540 5923 001	70,4		59,94	55,63	2,54 x 19 = 48,26
50	0918 550 7923 001	0918 550 6923 001	0918 550 5923 001	83,1		72,64	68,33	2,54 x 24 = 60,96
60	0918 560 7923 001	0918 560 6923 001	0918 560 5923 001	95,8		85,34	81,03	2,54 x 29 = 73,66
64	0918 564 7923 001	0918 564 6923 001	0918 564 5923 001	100,9		90,42	86,11	2,54 x 31 = 78,74

	All Dimensions in mm Original Size DIN A3	Scale 2:1	Free size tol.	Ref.
	All rights reserved Department EC PD - FR	Created by DOUGE	Inspected by BAGDIKIAN	Standardisation HOFFMANN
HARTING Electronics GmbH D-32339 Espelkamp	Title SEK 18 male STD angled w/O levers			Doc-Key / ECM-Nr. 100566959/UGD/001/A 50000068837
	Type TB	Number 09185XXX923	Rev. A	Page 2/2