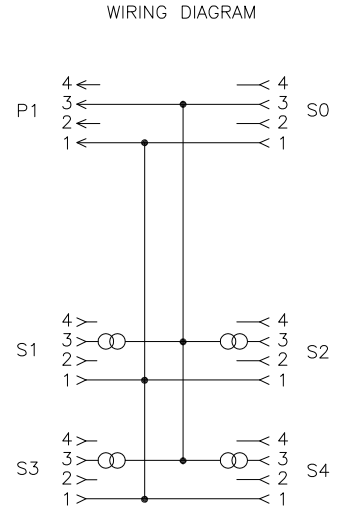
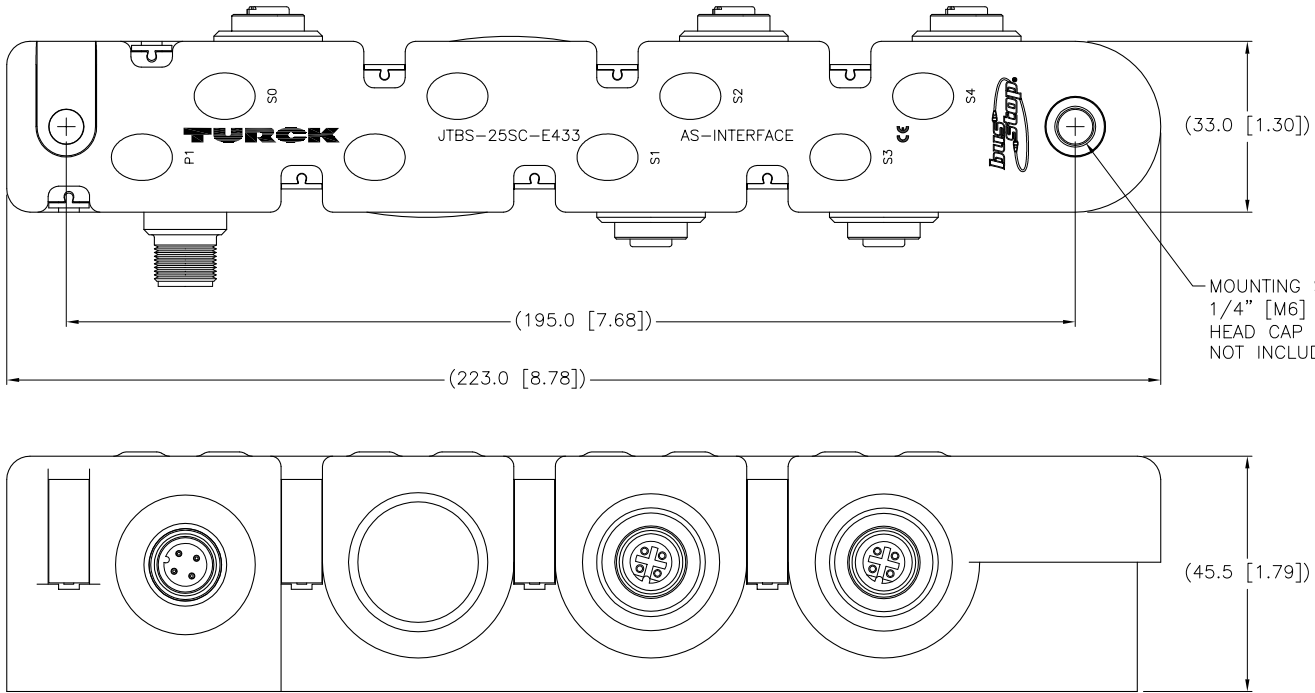

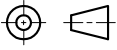


SPECIFICATIONS	
HOUSING MATERIAL/COLOR	POLYURETHANE/BLACK
RECEPTACLE HOUSING	STAINLESS STEEL, PASSIVATED
CONTACT CARRIERS/COLOR	TPU/BLACK
CONTACTS	GOLD-PLATED BRASS
SHORT-CIRCUIT PROTECTION	280 mA
OPEN CIRCUIT VOLTAGE	33 VDC
CURRENT CONSUMPTION	11 mA
PROTECTION CLASS	NEMA 1,3,4,6,13 AND IEC IP67
OPERATING TEMPERATURE	-30°C to 80°C (-22°F to 176°F)
LED INDICATION, GREEN	BUS POWER (P1,S0)
LED INDICATION, RED	SHORT CIRCUIT INDICATION (S1-S4)



SOURCE DRAWING - FOR REFERENCE ONLY

NOTES:
 1. THIS DEVICE IS EQUIVALENT TO TWO (2) SLAVES ON THE NETWORK.

RELATED DOCUMENTS		3RD ANGLE PROJECTION		THIS DRAWING IS PROPERTY OF TURCK INC. USE OF THIS DOCUMENT WITHOUT WRITTEN PERMISSION IS PROHIBITED.		 High Technology Sensors and Automation Controls 3000 CAMPUS DRIVE MINNEAPOLIS, MN 55441 1-800-544-7769 (763) 553-7300 (763) 553-0708 fax turck.com	
1.				DRFT	RDS		
2.		ALL DIMENSIONS DISPLAYED ON THIS DRAWING ARE FOR REFERENCE ONLY		DSGN	GC	SCALE	1=1.5
3.				UNIT OF MEASUREMENT		DESCRIPTION	
4.		CONTACT TURCK FOR MORE INFORMATION		MILLIMETER [INCH]		IDENTIFICATION NO.	REV
MATERIAL				DO NOT SCALE THIS DRAWING		U8661-43	
FINISH				FILE: U8661-43		SHEET 1 OF 1	

G	DRAWING PROCESSED AS PART OF ECO 33971	CBM	04/07/11	33971
REV	DESCRIPTION	BY	DATE	ECO NO.