

22MM PLASTIC ROUND COMPLETE UNIT
 COMBINATION: INDICATOR LIGHT WITH SMOOTH
 LENSE ILLUMINATED WITH LAMP HOLDER BA 9S WITH
 LAMP 130V AC/DC SCREW TERMINAL OPERATIONAL
 VOLTAGE 220/230V AC WITH HOLDER CLEAR

Actuator:		
Design of the product		Complete unit round
Design of the operating mechanism		indicator light
Color / of the activation element		Clear
Material / of the activation element		plastic
Shape / of the activation element		Smooth lens
Number of switching positions		0
Product component / front ring		No
Product function / EMERGENCY STOP function		No

Holder:		
Material / of the holder		Plastic

Contact block/ lampholder:		
Design of the electrical connection		screw-type terminals
Number of switching elements		0
Number of NC contacts / for auxiliary contacts		0
Number of NO contacts / for auxiliary contacts		0
Number of changeover contacts / for auxiliary contacts		0
Product function / positive opening		No
Number of lampholders		1
Execution of the mounting		BA 9s, with lamp
Product component / fluorescent materials		Yes
Product extension / optional / fluorescent materials		Yes

Accessories:		
Product component / holder for 3 switching elements		No

General technical data:		
Type of voltage / of the supply voltage / of light source		AC
Supply voltage / 1 / of the fluorescent material		
<ul style="list-style-type: none"> at 60 Hz / for AC / rated value 	V	230

• at 50 Hz / for AC / rated value	V	230
Voltage type / of operating voltage		AC/DC
Operating voltage / rated value		
• minimum	V	5
• maximum	V	400
Resistance against shock		
• for devices with incandescent lamp / according to IEC 60068-2-27		<= 30g
Resistance against vibration / according to IEC 60068-2-6		20 ... 200 Hz: 5g
Reference code		
• according to DIN EN 61346-2		P
• according to DIN 40719 extended according to IEC 204-2 / according to IEC 750		H
Tightening torque / of the screws in the bracket / maximum	N·m	1
Ambient temperature		
• during operating	°C	-25 ... +60
• during storage	°C	-40 ... +80
Protection class IP		IP66
climatic class / during the operating phase / according to EN 60721		3K6
Mounting type		front mounting
Shape / of the installation hole		round
Installation width	mm	28
Mounting diameter	mm	22
Mounting height	mm	11
Mounting depth	mm	49

Certificates/ approvals:

General Product Approval



[Special Test Certificate](#)

Declaration of Conformity

Test Certificates

Shipping Approval



other

[Confirmation](#)

[other](#)

[Environmental Confirmations](#)

Further information:

Information- and Downloadcenter (Catalogs, Brochures,...)

<http://www.siemens.com/industrial-controls/catalogs>

Industry Mall (Online ordering system)

<http://www.siemens.com/industrial-controls/mall>

Cax online generator

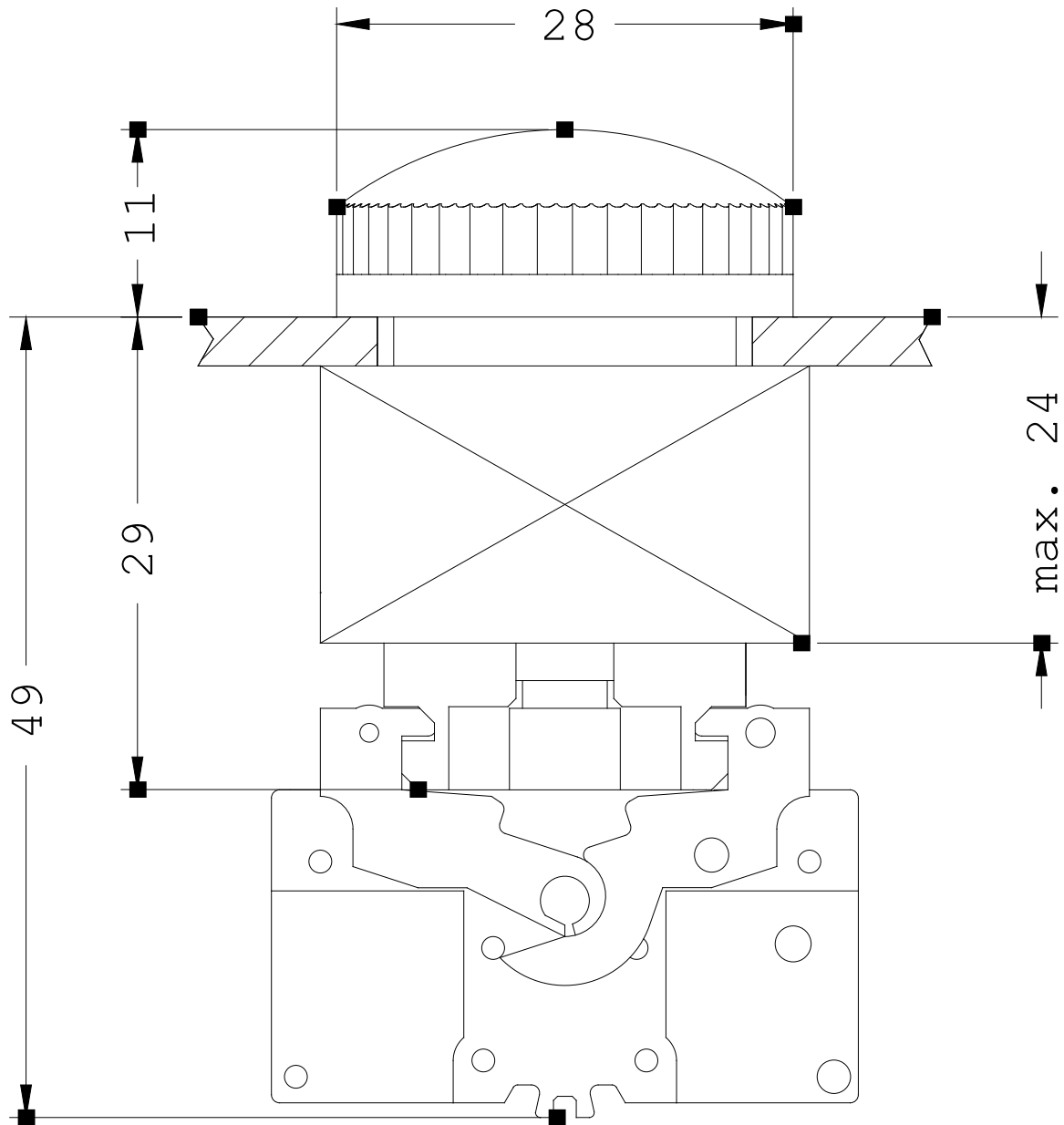
<http://www.siemens.com/cax>

Service&Support (Manuals, Certificates, Characteristics, FAQs,...)

<http://support.automation.siemens.com/WW/view/en/3SB3212-6AA70/all>

Image database (product images, 2D dimension drawings, 3D models, device circuit diagrams, ...)

http://www.automation.siemens.com/bilddb/cax_en.aspx?mlfb=3SB3212-6AA70



last change:

Jul 7, 2014