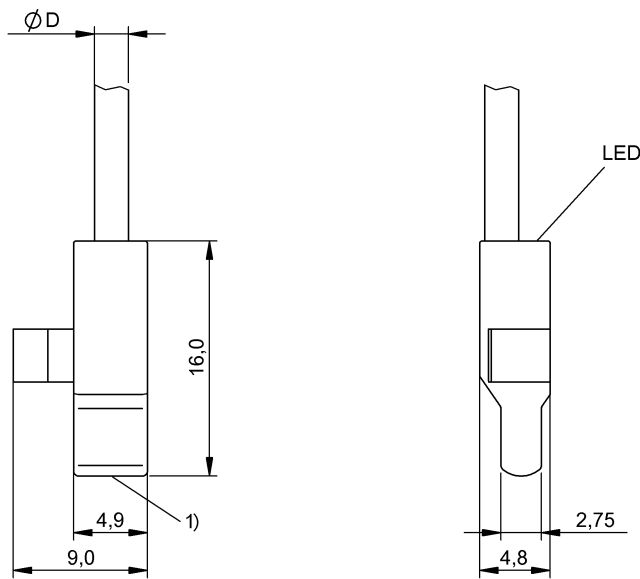


BMF 103K-PS-C-2A-SA7-PU-02 BMF001N



1) Sensing surface



Display/Operation

Function indicator	yes
--------------------	-----

Electrical connection

Cable diameter D	2.50 mm
Cable length	2 m
Conductor cross-section	0.10 mm ²
Connection type	Cable, 2.00 m, PUR
Number of conductors	3
Polarity reversal protected	yes
Short-circuit protection	yes

Electrical data

Assured switching field strength Ha	2 kA/m
Load capacitance max. at Ue	1 µF
No-load current Io max., undamped	5 mA
Operating voltage Ub	10...30 VDC
Output resistance Ra	Open drain
Pollution degree	3
Protected against miswiring	yes
Rated insulation voltage Ui	75 V DC
Rated operating current Ie DC	100 mA
Rated operating voltage Ue DC	24 V
Rated short circuit current	100 A
Rated switch field strength Hn	1.2 kA/m
Residual current Ir max.	80 µA
Switching frequency	7000 Hz
Turn-off delay toff max.	0.07 ms
Turn-on delay ton max.	0.07 ms
Utilization category	DC -13
Voltage drop static max.	2.5 V

Environmental conditions

Ambient temperature	-25...85 °C
Protection type IEC 60529	IP67

Functional safety

Diagnostic coverage	0.0 %
---------------------	-------

General data

Application	Optimized response path especially suited for short-stroke cylinders.
Approval/Conformity	cULus CE
Basic standard	IEC 60947-5-2
Not incl. in scope of delivery	Mounting bracket, e.g. BMF 103-HW-42

Material

Housing material	LCP
Material jacket	PUR
Material sensing surface	LCP

Mechanical data

Dimension	9 x 4.8 x 16 mm
-----------	-----------------

Output/Interface

Switching output	PNP Normally open (NO)
------------------	------------------------

BMF 103K-PS-C-2A-SA7-PU-02 BMF001N

Range/Distance

Ripple max. (% of Ue) 15 %

Remarks

The sensor is functional again after the overload has been eliminated.
EMC: Surge resistance
External protection circuit is required. Document 825345, Section 2.
For radially magnetized magnets therefore especially suited for Schunk grippers.

Wiring Diagram

