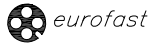
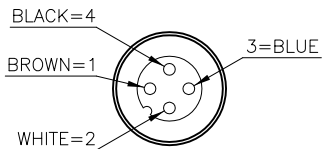
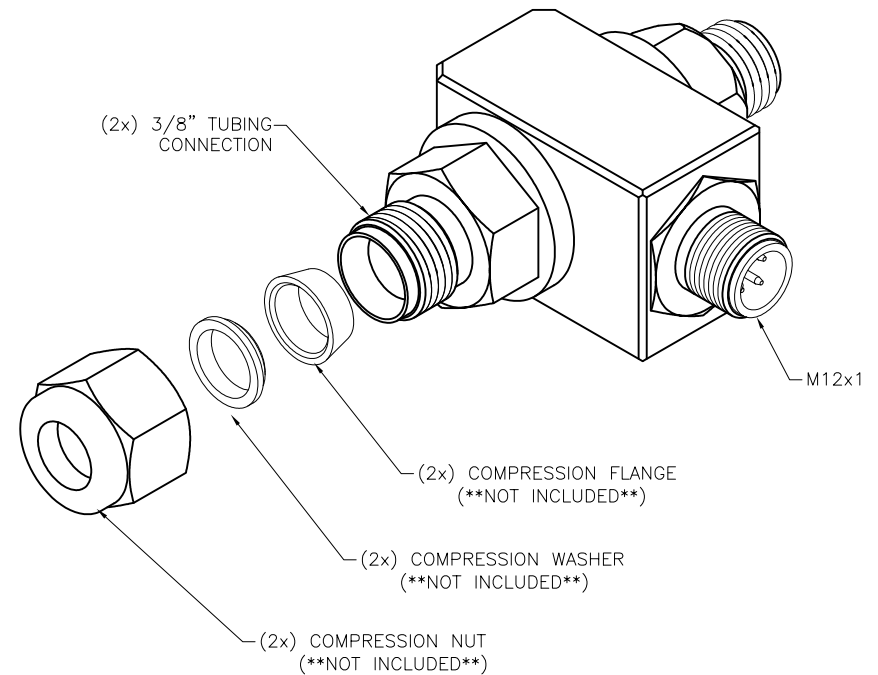
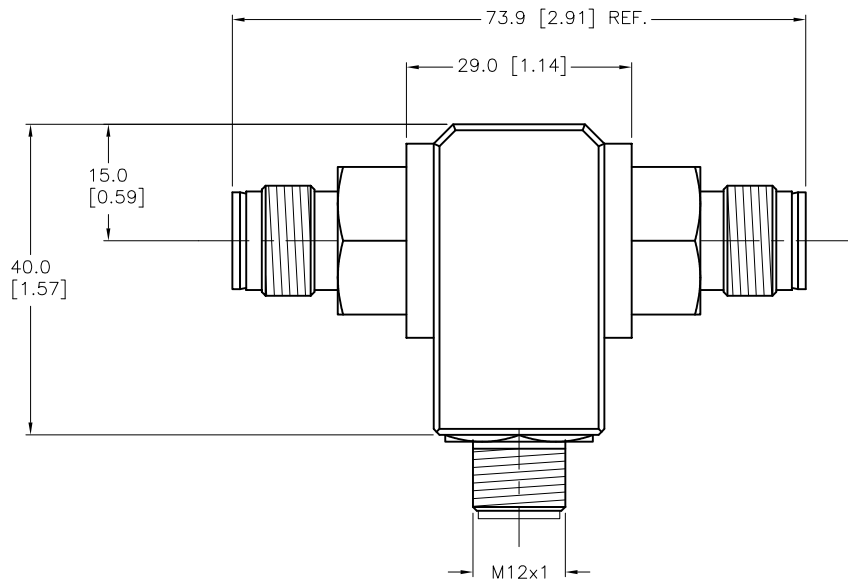


MALE END VIEW



SPECIFICATIONS

NOMINAL RANGE [l/min]	0.2-6.0
TEMPERATURE RANGE AMBIENT MEDIUM	-20°C to +60°C (-4°F to +158°F) 0°C to +80°C (+32°F to +176°F)
REACTION TIME TYPICAL [s]	1.0
COMPRESSIVE STRENGTH [bar]	30 bar [435 psi]
ENCLOSURE	MEETS IEC IP67
CASING MATERIAL	PBT
WETTED MATERIAL	AISI 316 Ti
CONNECTION	4-WIRE EUROFAST QUICK DISCONNECT



NOTE  
PRELIMINARY  
SPECIFICATIONS

SOURCE DRAWING - FOR REFERENCE ONLY

NOTES:

1. MATERIALS:

HOUSING - PBT PLASTIC  
CONNECTOR - CHROME PLATED BRASS  
SENSOR - 316 STAINLESS STEEL WETTED PARTS

2. HARDWARE KIT: FSV-SS 3/8 KIT IS RECOMMENDED.

RELATED DOCUMENTS 1. 2. 3. 4.	3RD ANGLE PROJECTION	THIS DRAWING IS PROPERTY OF TURCK INC. USE OF THIS DOCUMENT WITHOUT WRITTEN PERMISSION IS PROHIBITED.			3000 CAMPUS DRIVE MINNEAPOLIS, MN 55441 1-800-544-7769 (763) 553-7300 (763) 553-0708 fax turck.com
	TOLERANCES UNLESS OTHERWISE SPECIFIED		DRFT RDS	DATE 09/07/07	DESCRIPTION FCI-D08A4P-NA-H1141/D038
MATERIAL	0.5 TO 6 ±0.1 6 TO 30 ±0.2 30 TO 200 ±0.3 OVER 200 ±0.4 ANGLES ±1° ALL INCH DIMENSIONS ARE REFERENCE ONLY	DSGN mh	SCALE 1=1.0		
FINISH		UNIT OF MEASUREMENT <b>MILLIMETER [ INCH ]</b>		IDENTIFICATION NO. M6870683	REV P1
P1	RDS 09/07/07	DO NOT SCALE THIS DRAWING		FILE: M6870683	SHEET 1 OF 1
REV	DESCRIPTION	BY	DATE	ECO NO.	