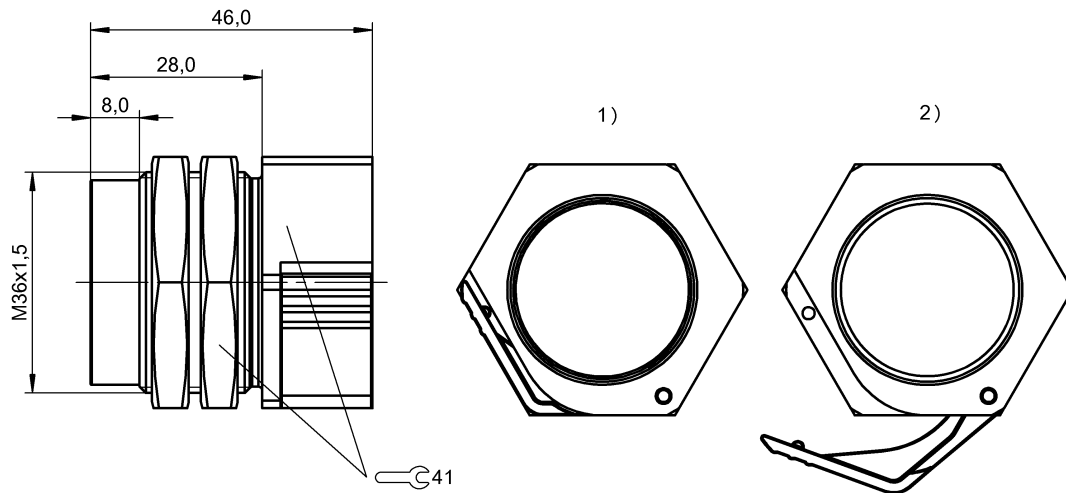


## BES 30,0-KH-9ST BAM00JH



1) closed 2) open

### Environmental conditions

Ambient temperature -25...70 °C

### General data

Additional features Weld immune  
 Scope of delivery Clamp holder (1x)  
 Nut DIN 1763-M36x1.5 (2x)  
 Use For M30 sensors

### Material

Material Brass

Surface protection

white bronze

### Mechanical data

Dimension undefined  
 Fastening detail Clamp lever  
 Tightening torque 50 Nm

### Remarks

For proximity switches with mounting length 43 mm and longer.  
 The clamp holder was designed to retain size M30 proximity switches.  
 The plastic stop cap allows the installation of sensors with a higher switching distance without having to alter the switching distance.